

Survivor/PLUS® vandal-resistant pushbuttons

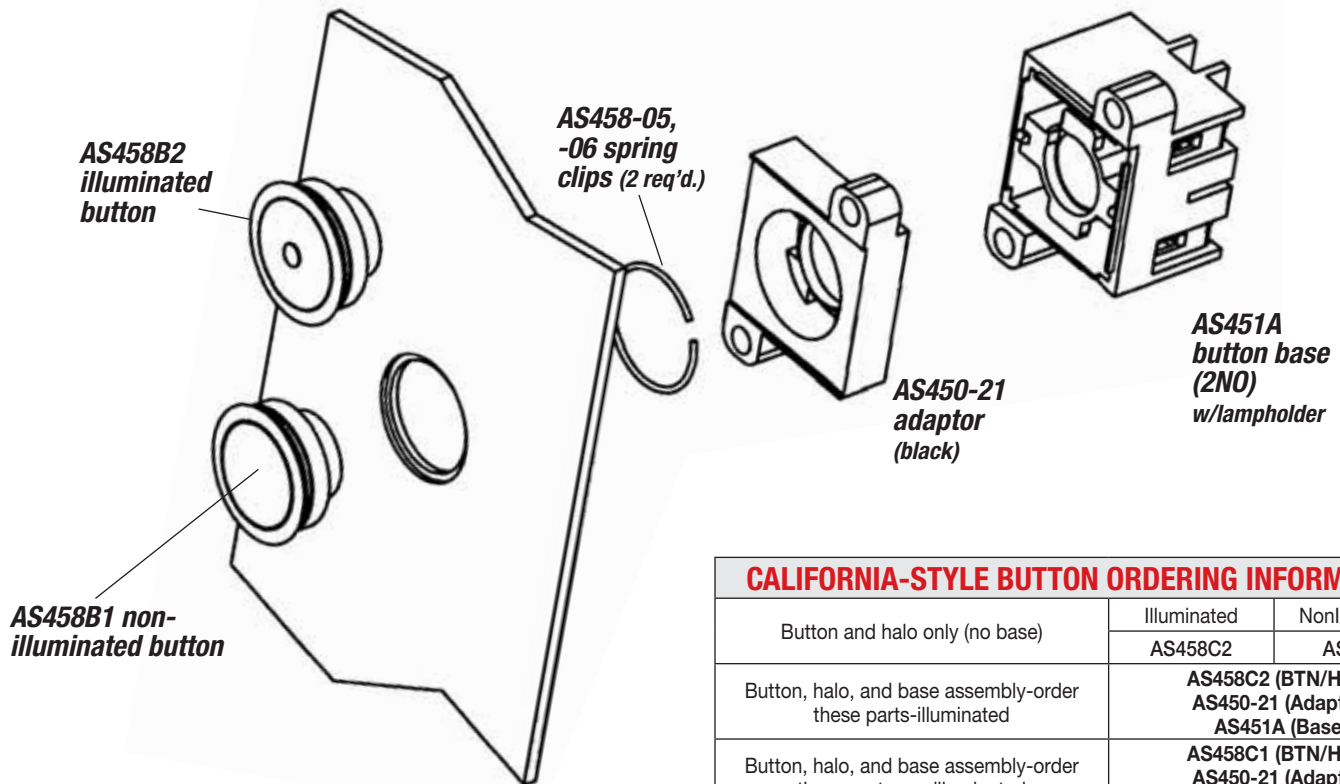
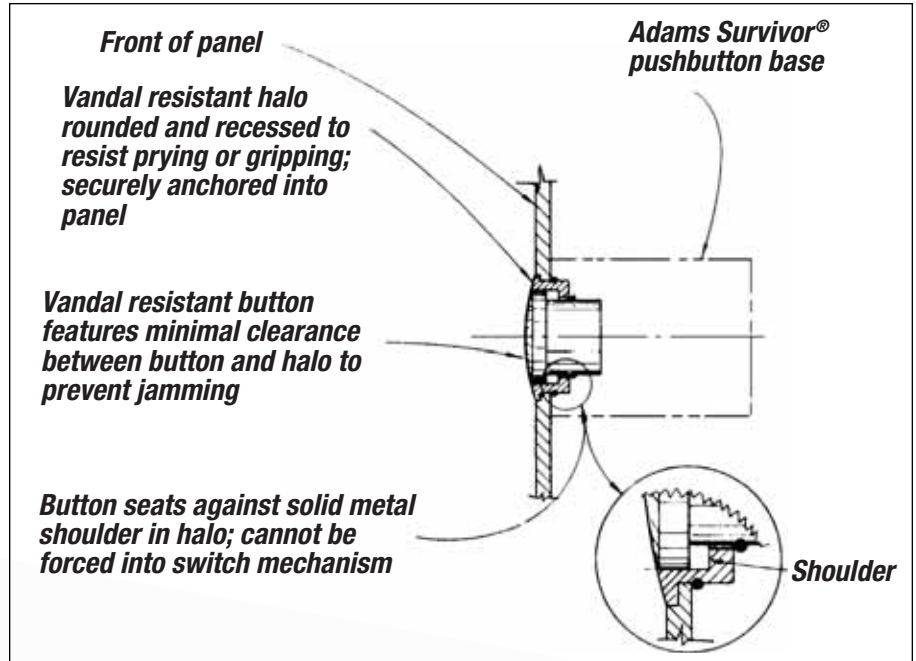
Survivor/PLUS™ vandal-resistant pushbuttons have a patented “coined pocket” designed to support the button by the metal panel.

Survivor/PLUS

- Can be ordered to meet California Title 24; see chart below
- Opening for Survivor Plus Button is 1.156" diameter inside and 1.246" diameter outside coined surface

SURVIVOR/PLUS—STAINLESS STEEL #4 COMPLETE BUTTON ASSEMBLIES		
Contact configuration	Adams part no.	
	Non-illuminated	Illuminated
2NO	AS458A1	AS458A4
2NC	AS458A2	AS458A5
1NO/1NC	AS458A3	AS458A6

Bronze Available by special order.
Incandescent and LED illumination are sold separately.



CALIFORNIA-STYLE BUTTON ORDERING INFORMATION		
Button and halo only (no base)	Illuminated	NonIlluminated
		AS458C2
Button, halo, and base assembly-order these parts-illuminated	AS458C2 (BTN/Halo) AS450-21 (Adaptor) AS451A (Base)	
Button, halo, and base assembly-order these parts-nonilluminated	AS458C1 (BTN/Halo) AS450-21 (Adaptor) AS451A (Base)	

Incandescent and LED illumination are sold separately.