

## Designer™ Pushbutton with Base

### DESIGNER PUSHBUTTON ASSEMBLY, EXPLODED VIEW [SINGLE]

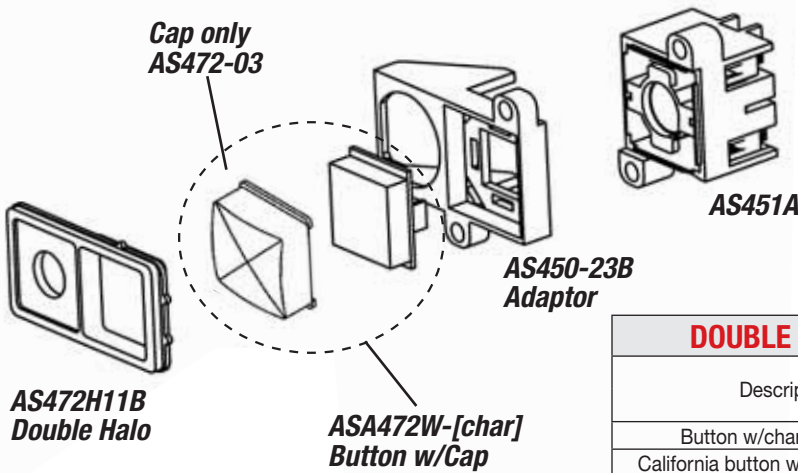
SINGLE DESIGNER BUTTON ORDERING INFORMATION		
Description	Adams part no.	
	Incandescent base	LED base
Button w/char., complete	<b>ASA472SCI-[char]</b>	<b>ASA472SCL-[char]</b>
Button w/cap only (no base or adaptor) or halo	<b>ASA472W-[char]</b>	
California button w/char., complete	<b>ASC472SCI-[char]</b>	<b>ASC472SCL-[char]</b>
California button w/cap only (no base or adaptor) or halo	<b>ASC472W-[char]</b>	

\*California Cap Only (squared shoulders) AS472-04  
Incandescent and LED illumination are sold separately.

Single Designer BTN  
1.50"w x 1.50"h



### DESIGNER PUSHBUTTON ASSEMBLY W/BRILLE, EXPLODED VIEW



DOUBLE DESIGNER BUTTON ORDERING INFORMATION		
Description	Adams part no.	
	Incandescent base	LED base
Button w/char., complete	<b>ASA472DCI-[char]</b>	<b>ASA472DCL-[char]</b>
California button w/char., complete	<b>ASC472DCI-[char]</b>	<b>ASC472DCL-[char]</b>

Incandescent illumination and Braille tag sold separately. See Braille Tag Page

Designer BTN w/Braille  
2.88"w x 1.50"h

HOMELIFT BUTTON ORDERING INFORMATION	
Button complete (no lamp)	<b>ASH460W-[char]</b>
Button w/cap only (no base)	<b>AS470W-[char]</b>
Cap only	<b>AS470-01</b>
Halo only	<b>AS470-10B</b>
Adaptor only	<b>AS470-20B</b>

Incandescent and LED illumination are sold separately.

Homelift BTN  
1.25" x 1.25"

