

Classic™ Pushbutton with Base

Our Classic buttons are mounted on our Survivor base. In our double-Classic style, the blank button and braille tag are enclosed together to create an oval-shaped assembly (2.88"); see exploded diagram at right. The braille tag has a black matte finish with 5/8" high characters, raised and polished. Meets ADA. Braille dots are located below the characters.

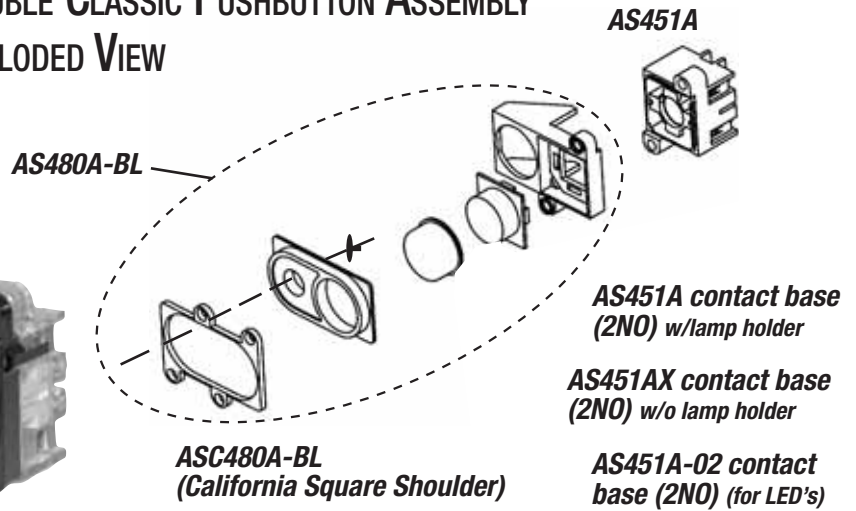
[NOTE: Do not use AS480-21 shim for 1/8" button and halo protrusion.]

Classic pushbuttons are 1.25" diameter white Lexan®; they require a 1.5" punch without braille.

Classic Braille sold separately

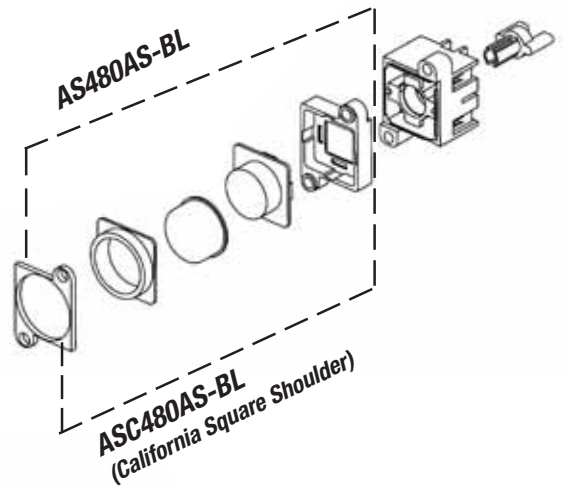


DOUBLE CLASSIC PUSHBUTTON ASSEMBLY EXPLODED VIEW



SINGLE CLASSIC PUSHBUTTON ASSEMBLY, EXPLODED VIEW

To order a single Classic button with a character order AS480AS-[Char]



BAR BUTTON

Adams provides an illuminated bar button which uses three AS451A button bases with 2 N/O contacts. Complete unit includes all components shown at right, with your choice of standard or California lens cap.

Illuminated button is 4 3/4" L x 1" H.
Halo is 5.0" L x 1 3/8" H.

