

# Door interlock components

Adams manufactures the major replacement components for Armor's No. 1 Sliding Door Interlock. We also manufacture contacts and cams for the power door operator.

You'll find Adams quality built into all of these parts: interlock switch assemblies, latch lever (keeper), cable reel door closer (spirator), and clutch assembly components.

Refer to the numbered items in the drawings and also to the photographs and part numbers to identify the parts you need.

**ARW470S1**  
N.C. PM Magnetic Switch. Kone #509085.  
120V 50W

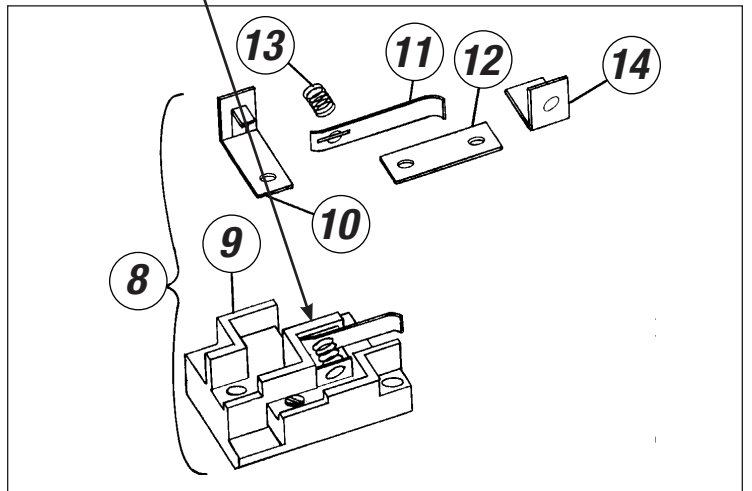
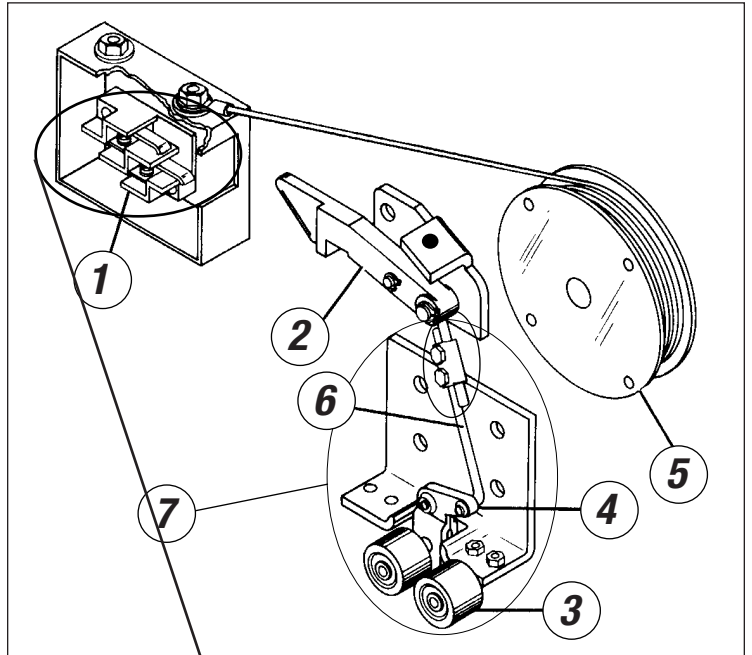


**ARW470S2**  
N.O. Magnetic Switch. 110VDC

**ARW470C1**  
Catch for #1 Clutch, Kone #502035  
Armor #10350-01



**A392501**  
Armor interlock



## CABLES



**10341-01**  
Armor cable



**12501-01**  
Armor cable kit