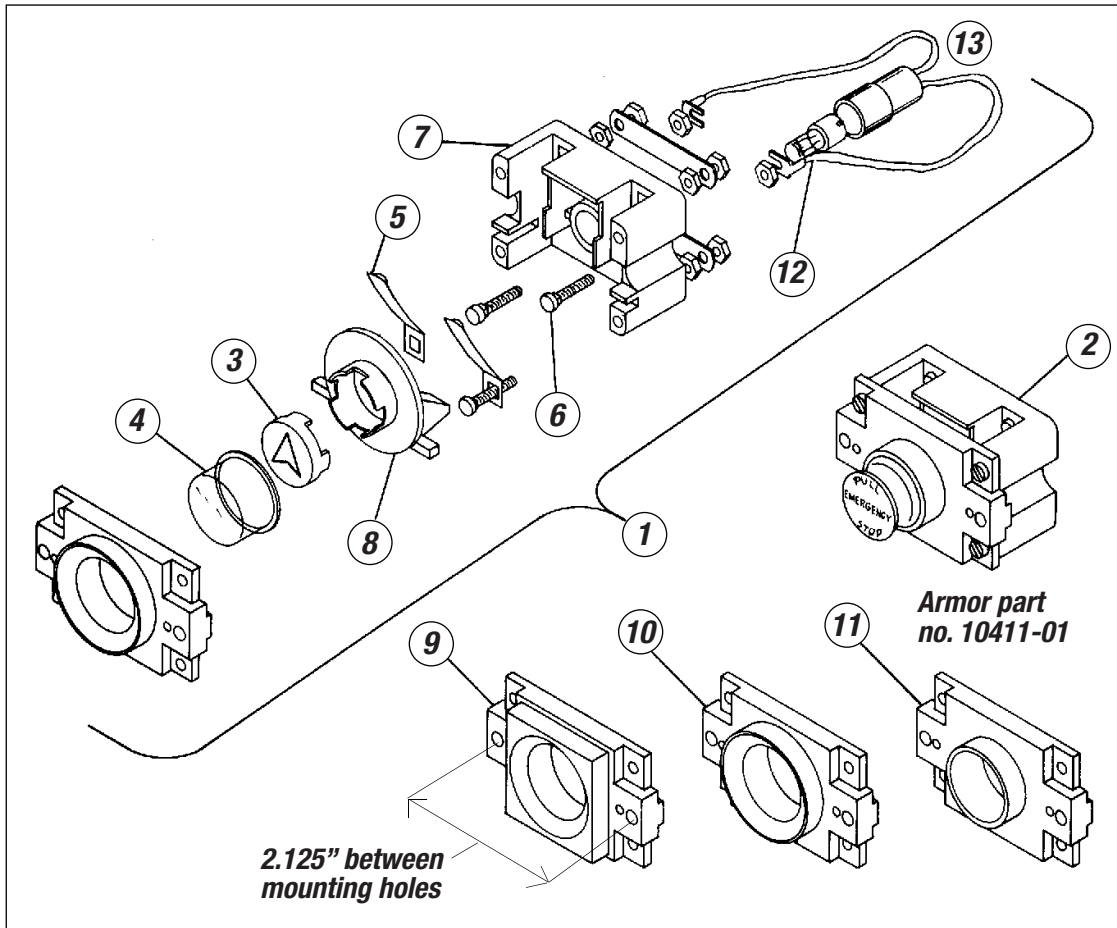


Adams quality assures consistent performance and appearance in all pushbutton components



Adams pushbuttons provide the appearance *your customer* will like and the level of performance *you* will like.

Adams manufactures replacements for Armor pushbuttons in all five styles of Armor halo. See the following drawings and photographs to identify the model or subcomponent you need.

All standard characters (and many special ones) are available. Call your Adams sales rep for verification.

How do you maintain a uniform appearance from character to character on every elevator pushbutton? **Hot stamping.** No other button character process produces the same consistency of stroke width and character height. Hot-stamped characters are **designed to be identical.** And the Adams hot stamping process guarantees that you get uniform, eye-pleasing characters...button after button after button.