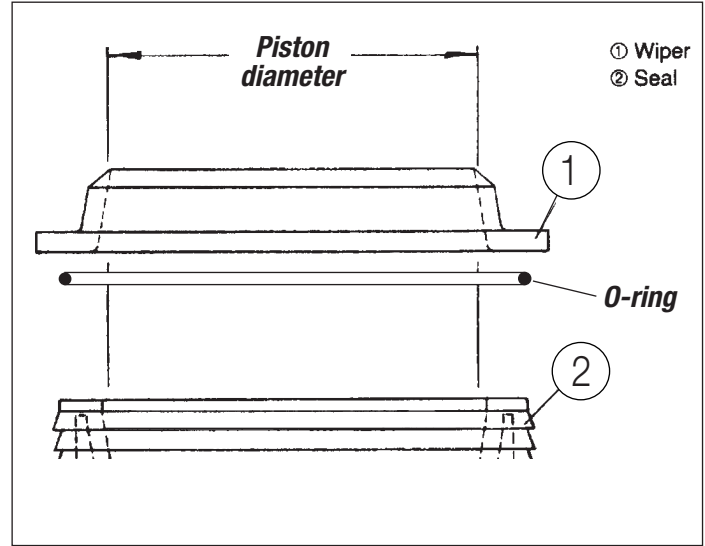


Armor Hydraulic Packing Kits

Each hydraulic packing kit for Armor consists of:

- One (1) seal
- One (1) wiper
- One (1) O-ring

ARMOR			
Adams part no.	Piston diameter	Adams part no.	Piston diameter
GK04000A	4"	GK07562A	7 ⁹ / ₁₆ "
GK04250A	4 ¹ / ₄ "	GK08562A	8 ⁹ / ₁₆ "
GK04437A	4 ⁷ / ₁₆ "	GK09562A	9 ⁹ / ₁₆ "
GK05000A	5"	GK10687A	10 ¹¹ / ₁₆ "
GK05500A	5 ¹ / ₂ "	GK12687A	12 ¹¹ / ₁₆ "
GK06562A	6 ⁹ / ₁₆ "		



ADAMS REPLACEMENT PACKING FOR ARMOR

A patented blend of oil-resistant compounds insures long life without the risk of common "rubber breakdown."

Unique "wavy" split design for quick and easy installation without disconnecting the motor from the geared unit.

Low friction from special baked-on finish prevents shaft scoring and damage from high temperatures.

ARMOR SEALS				
Adams part no.	Machine	Dimensions		
		Shaft dia.	Bore dia.	Thick
AT1R012	#3 fin	1.938"	2.875"	1.266"
AT1R020	#4	2.000"	3.000"	.500"
AT1R059	#2	1.750"	2.750"	.828"
AT1R081	#5	2.750"	3.750"	.500"

12081-01
Armor seal



12331-01
Armor seal

