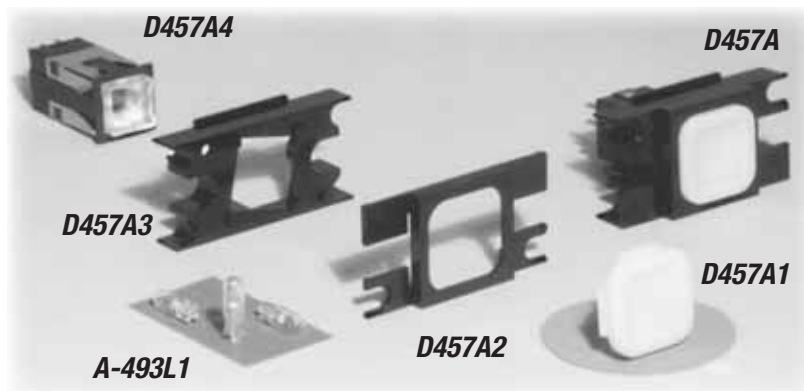


REPLACEMENT FOR DOVER IMPULSE™ PUSHBUTTON SWITCH



You can replace Dover Impulse pushbutton switches with an Adams replacement that will outlast the original. You can even change out individual switch components instead of replacing an entire assembly. NOTE: Do not use the fastener clip on the OEM pushbutton when installing Adams replacement components.

Order the complete switch or the components listed below. NOTE: D457-series components are for Adams replacement switches only.

Adams part no.	Description (Dover description)	Dover part no.
D457A	Replacement for Dover Impulse switch, complete	—
D457A1	Button lens only, blank	9893209
D457A2	Button halo (bezel) only, black	9822690
9822707	Button halo (bezel) only, blue	9822707
9822719	Button halo (bezel) only, red Fire Service	9822719
9851278	Pushbutton mounting bracket	9851278
D457A3	Halo adapter (bracket) only	9851288
D457A4	Illuminated electronic switch with eight (8) connectors on back (2-pole pushbutton)	9891717
A-493L1	#85 replacement lamps, 10/pkg.	9721769



D456W-SERIES

These white Lexan™ buttons come with black symbols and clear lens caps. They are one-to-one replacements for Dover 106734-series pushbuttons.

Caps are supplied loose to make installation easier. Order replacement Caps from bottom of page 161.

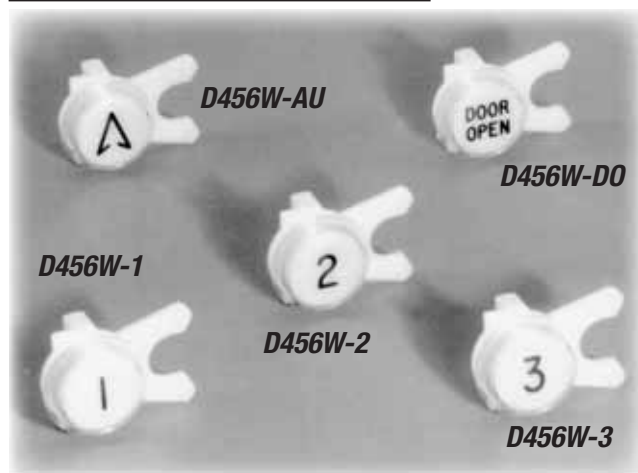
Characters available: Floor stops 1 thru 20; Alarm, Down, Up, Arrow UP, Arrow DOWN, Door Close, Door Open, Fire Service, Blank, B, G, L, LL, M, P.

To order, specify D456W-prefix for button style, followed by the suffix for the character you want. (D456W-5, for example, is a button with the character 5.)

D456W-AD Button with DOWN arrow

D456W-AU Button with UP arrow

9806349 Bezel



Replaces Dover 106734-series buttons