

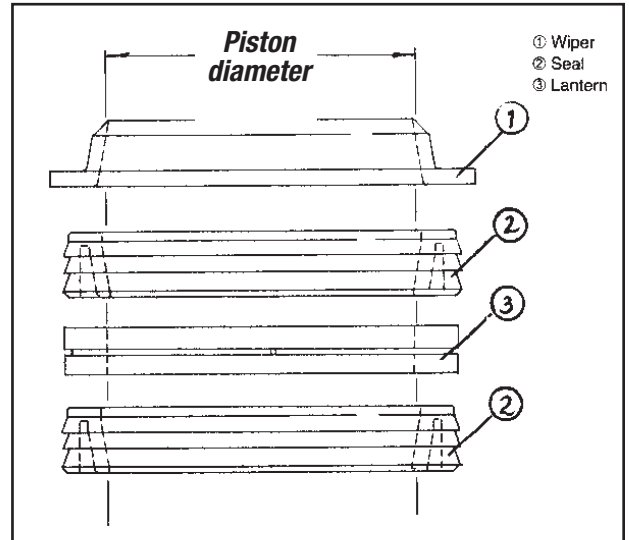
## Montgomery Hydraulic Packing Kits

Each hydraulic packing kit for Montgomery consists of:

- Two (2) seals
- One (1) wiper
- One (1) lantern ring

<b>MONTGOMERY</b>	
Adams part no.	Piston diameter
<b>GK03937M</b>	3 <sup>15</sup> / <sub>16</sub> "
<b>GK04375M</b>	4 <sup>3</sup> / <sub>8</sub> "
<b>GK04500M</b>	4 <sup>1</sup> / <sub>2</sub> "
<b>GK05437M</b>	5 <sup>7</sup> / <sub>16</sub> "
<b>GK05500M*</b>	5 <sup>1</sup> / <sub>2</sub> "
<b>GK05750M</b>	5 <sup>3</sup> / <sub>4</sub> "
<b>GK06562M</b>	6 <sup>9</sup> / <sub>16</sub> "
<b>GK07500M</b>	7 <sup>1</sup> / <sub>2</sub> "
<b>GK08562M</b>	8 <sup>9</sup> / <sub>16</sub> "
<b>GK09500M</b>	9 <sup>1</sup> / <sub>2</sub> "
<b>GK10715M</b>	10 <sup>18</sup> / <sub>25</sub> "
<b>GK12625M</b>	12 <sup>3</sup> / <sub>8</sub> "

\*Includes one seal, one lantern, one wiper.



**51570-001**  
Wiper ring,  
3" bearing



**51233-001**  
3" solid jack  
packing set



**2881-170**  
Steel valve  
spring washer



**P-9118**  
Solenoid valve core, NC



**43300** Rod packing,  
round



**P-9985**  
Regulator assembly  
for US-UL valve



**P-9117**  
Solenoid case, NO