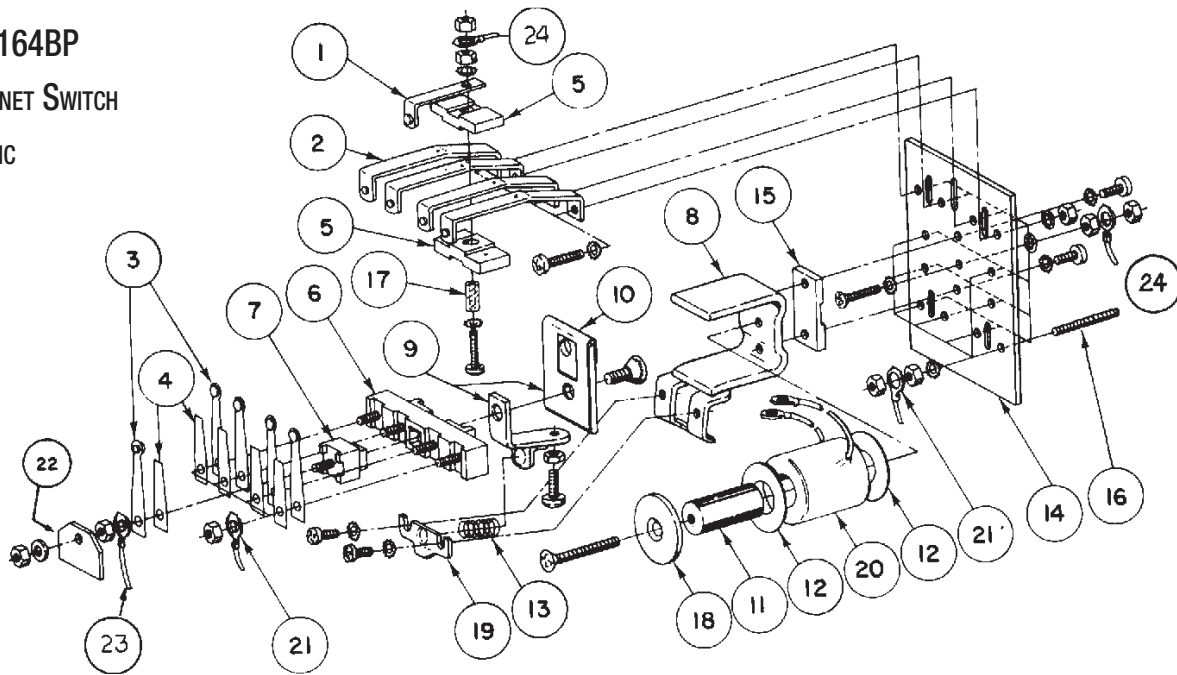


TYPE A6164BP
DC MAGNET SWITCH
SCHEMATIC



REPLACEMENT PARTS FOR A6164BP RELAYS

Key no.	Adams part no.	Replaces Otis no.	Description
1	O21C1	150P25	Stationary "L" contact
2	O21C2	150P26	Stationary contact, 2 ⁵ / ₈ " L, make
2	O21C3	150P27	Stationary contact, 3 ³ / ₃₂ " L, make
3	O21C4	150P4	Movable contact
4	O21C5	93D2	Leaf spring
5	O21B1	306CN1	Contact base
6	O21B2	306CZ1	Contact base
7	O21B3	306EF1	Contact base
8	O21A1	B374FV1	Magnet frame
9	O21A2	245Z2	Armature 2/A477BH1 stop
10	O21A3	384FN1	Brass guard for armature
11	O21A4	400AY1	Magnet core w/o groove
12	O21A5	129BR1	Incl. 1 brass, 1 phenolic shim
13	O21S1	90LA4	Compression spring
	O21S2	90TA6	Compression spring
	O22S2	90VA16	Compression spring
14	O21P1	433AG1	Switch panel
15	O21B4	298BV1	Phenolic base, 7 ⁷ / ₈ " x 1 ⁵ / ₈ "
16	O21P2	99G1	Terminal stud
17	O21B5	137E5	Base bushing
18	O21A6	131BH1	Magnet core washer
19	O21A7	A477BJ1	Formed steel pivot stop
20	Hxxxx	222-xx	Coil (see p. xxx)
21	O521B	175J89	Shunt, 4 ³ / ₄ " L
22	O21T1	102DA1	I.D. tag
23	O521C	175J90	Shunt, 5 ³ / ₄ "
24	O520F	175J6	Shunt, 3 ³ / ₄ "
COMPONENTS FOR SELF-HOLDING RELAYS (NOT SHOWN)			
<i>For more info., see page 228</i>	O21A8	400AY2	Magnet core w/groove
	O21A9	245Z1	Armature
	O21K1	A79AN1	Kickoff assembly pin
	O21K2	316BCA1	Kickoff assembly bracket
	O21S2	90TA6	Main compression spring
	O21S4	90KA3	Kickoff spring