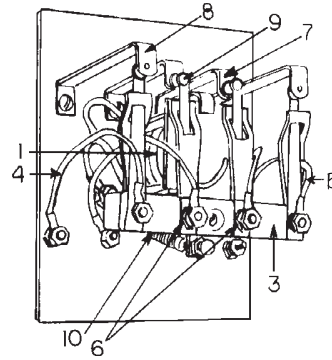


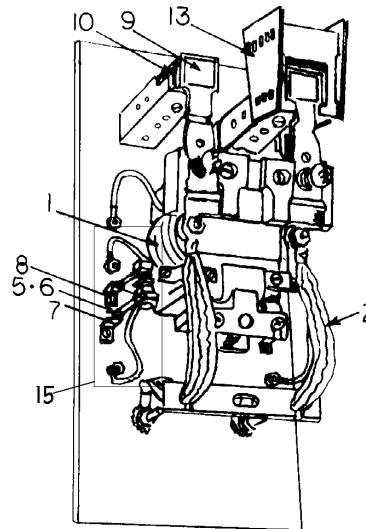
**TYPE 6164 RELAY\***

Key no.	Adams part no.	Otis part no.	Description
1	<b>See page 246</b>	—	Magnet coil
3	<b>O24B1</b> <b>O24B2</b>	306LA1 306W1	Base, 4 contacts
4	<b>O520A</b>	175J1	Fabric shunt, 4 <sup>3</sup> / <sub>4</sub> "L
5	<b>O520B</b>	175J2	Fabric shunt, 2 <sup>1</sup> / <sub>2</sub> "L
6	<b>O521B</b>	175J89	Silicone shunt, 4 <sup>3</sup> / <sub>4</sub> "L
7	<b>O24C1</b>	150P7	Stationary contact, 2 <sup>1</sup> / <sub>4</sub> "L
8	<b>O24C2</b>	150P8	Stationary contact, 3 <sup>1</sup> / <sub>64</sub> "L
9	<b>O24C3</b>	93A2	Movable aux. contact
10	<b>O24S1</b>	91B1	Extension spring



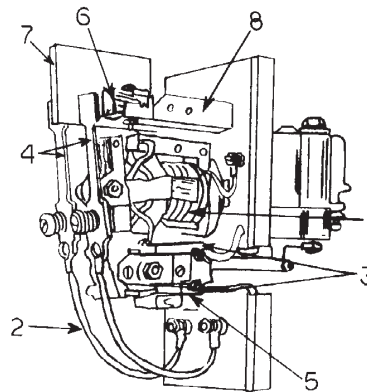
**TYPE 6744A & B RELAY\***

Key no.	Adams part no.	Otis part no.	Description
1	<b>Magnet coil not available from Adams</b>		
2	<b>O544D</b>	176KA8	Braided copper connector, 9 <sup>3</sup> / <sub>4</sub> "L
5	<b>O24C3</b>	93A2	Movable auxiliary contact
6	<b>O23C7</b>	93AD1	Leaf spring contact
7	<b>O22C4</b>	150C13	Stationary auxiliary contact
8	<b>O22C5</b>	150C14	Stationary auxiliary contact
9	<b>O26C1</b>	153T1	Movable copper contact
10	<b>O26D1</b>	154AA1	Carbon contact
13	<b>O26H1</b>	6743A1	Arc deflector
15	<b>O23BA1</b>	6810A2	Auxiliary contact ass'y. w/o coil spring



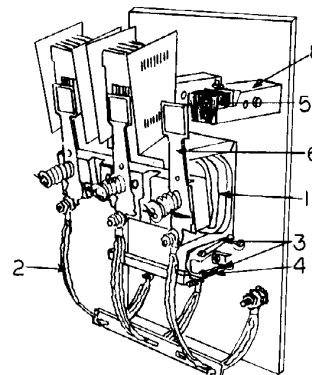
**TYPE 6163 RELAY\***

Key no.	Adams part no.	Otis part no.	Description
1	<b>See page 247</b>	—	Magnet coil
2	<b>O530</b>	175H1	Conductor, 7 <sup>1</sup> / <sub>2</sub> "L
3	<b>O24C3</b>	93A2	Movable auxiliary contact
4	<b>O23C1</b>	153B1	Copper contact
5	<b>O21C4</b>	150P4	Movable auxiliary contact
6	<b>O23D1</b>	154C1	Carbon contact
7	<b>O23H2</b>	276B1	Arc barrier
8	<b>O23K1</b>	179P3	Carbon holder



**TYPE 6520 RELAY\***

Key no.	Adams part no.	Otis part no.	Description
1	<b>Magnet coil not available from Adams</b>		
2	<b>O544B</b>	175KA3	Copper shunt, 13 <sup>1</sup> / <sub>2</sub> "L
3	<b>O24C3</b>	151A2	Movable auxiliary contact
4	<b>O21C4</b>	150P4	Movable auxiliary contact
5	<b>O25D1</b>	154G1	Carbon contact
6	<b>O25C1</b>	153D1	Movable copper contact
8	<b>O25K1</b>	179AD1	Carbon holder



\* These magnet switches are not available as complete units because the Otis configuration mounted these relays directly to a large slate panel.