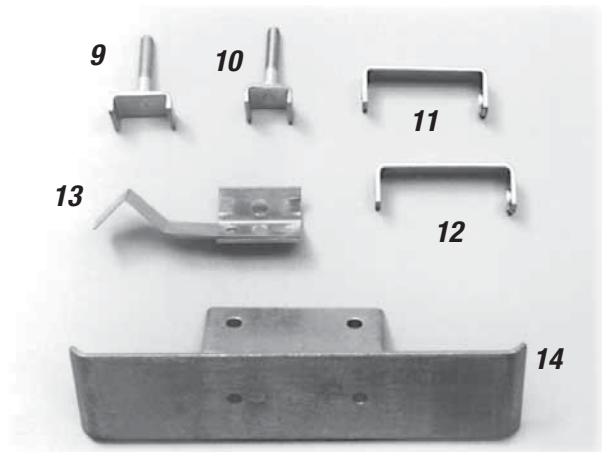


SWITCHES & CONTACTS			
Photo key no.	Adams part no.	Description	Otis part no.
1	<b>O342</b>	Contact for floor bar ass'y.; head = 3/8" x 5/8"; 2 11/32"L, #10-32 thread	B152H2
2	<b>O344B</b>	Contact base for floor bar ass'y.; accommodates 3 contacts	306GD1
3	<b>O346</b>	Selector contact, 1 1/2"L, round hex nut	156AV2
4	<b>O347</b>	Selector contact, 2 1/2"L; 3/8" x 3/4" contact face with 3/4" radius	—
5	<b>O350</b>	Contact for selector stopping switch, with fiber cam; 3/8" x 3 3/8" blade, 1/4" tip; also used on 6970A door operator	150P31 150P32
6	<b>O351</b>	Contact blade, makes with <b>O350</b>	—
7	<b>O352</b>	Spring blade for <b>O330</b> -type contact brush	93CC1
8	<b>O353</b>	Selector contact	156A6

SWITCHES & CONTACTS			
Photo key no.	Adams part no.	Description	Otis part no.
9	<b>O354A</b>	U-form selector cam for rocking contact; 5/8" inside width	152AX4
10	<b>O354B</b>	U-form selector cam for rocking contact; 7/16" inside width	152AX2
11	<b>O357</b>	Pawl magnet contact for crosshead panel, 1 5/8"L	150P33
12	<b>O358</b>	Pawl magnet contact for crosshead panel, 1 1/2"L	150P34
13	<b>O361</b>	Toggle cam for advancer panel	327GJ1
14	<b>O362</b>	Bracket/cam assembly; used at end of crosshead panel	327GS1



## CAM & CLAMP ASSEMBLIES



Adams part no.	Description	Otis part no.
<b>O833</b>	Cam & clamp ass'y. for power door operator switches and 6850 selector; replaces 327DJ2 one-piece unit	327DJ2C
<b>O833A</b>	Plastic cam for O833; upper surface radius = 1 1/8"; lower surface radius = 15/16"	—
<b>O833B</b>	Die cast cam clamp	—

Adams part no.	Description	Otis part no.
<b>O327</b>	Cam/clamp assembly	6827C1 327FT2
<b>O327A</b>	Cam only	—
<b>O327B</b>	Cam clamp (also used on <b>O328</b> cam)	336CM1

Adams part no.	Description	Otis part no.
<b>O328</b>	Cam for selector switches; use O327B clamp	327DE2