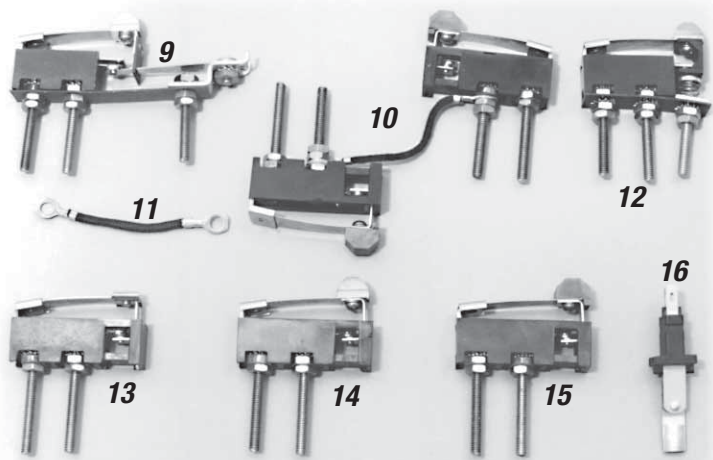
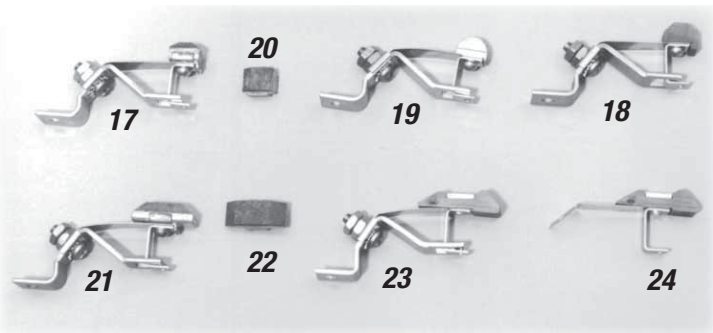


SWITCHES & CONTACTS			
Photo key no.	Adams part no.	Description	Otis part no.
1	O322A	Leveling switch with 2 1/4" contact arm	A6839G1
2	O322B	Leveling switch with 2 3/4" contact arm	A6839G3
3	O323	Selector contact	6850F1
4	O343	Contact only for O323 assembly; 1 1/32"L, #8-32 threads	156E1, 2, 3
5	O324	Selector contact, cadmium plated	6850F2
6	O344	Floor bar contact for O324 group; 1 1/2"L, #8-32 threads	156G4
7	O326	Plunger brush	6482C2
8	O345	Carbon-tipped contact for O326 assembly; 2 3/4"L, #8-32 threads	A151C2



SWITCHES & CONTACTS			
Photo key no.	Adams part no.	Description	Otis part no.
9	O325H	Brush switch	6839H1
10	O325J	Double brush switch assembly with fiber cams and connecting shunt	6839J1
11	O520B	Shunt for O325J , 2 1/2" long	175J2
12	O325W	Brush switch	6839W1
13	O325A	Brush switch w/silver contact	6839B3
14	O325B	Brush switch w/graphite contact	6839B2
15	O325C	Brush switch w/fiber insulator tip	6839B4
16	O329	Brush switch	177AH1



SWITCHES & CONTACTS			
Photo key no.	Adams part no.	Description	Otis part no.
17	O330	Contact brush w/carbon contact, 7/16"L	A6839F3
18	O331	Metal graphite contact, 7/16"L	A6839F4
19	O332	Contact brush w/fiber contact, 7/16"L	A6839F5
20	O330C2	Carbon & clip assembly	156J2
21	O333	Contact brush for crosshead panel; 7/8"L carbon contact (#156D2)	A6839F2
22	O333C5	Carbon & clip assembly	156D2
23	O333Y	Rocking contact brush assembly, complete	6839AB1
24	O333CY	Cam with silver contact for O333Y ass'y.	327JE2

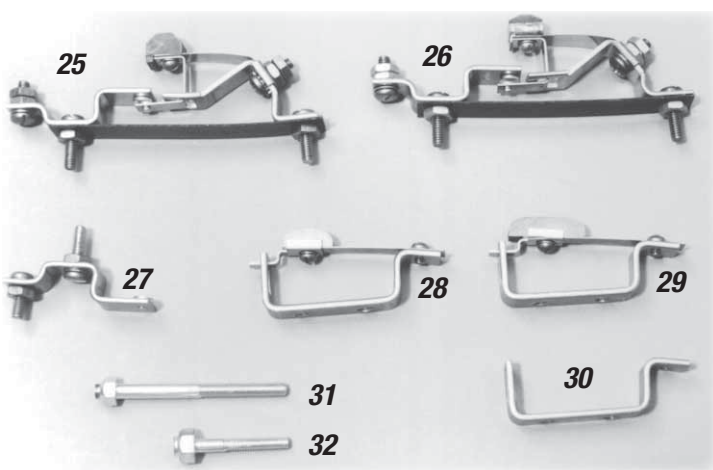


Photo key no.	Adams part no.	Description	Otis part no.
25	O334	Brush switch for crosshead and advancer panels; includes 7/16"L fiber insulated tip	6839Y1, Y3
26	O335	Brush switch for crosshead and advancer panels; 7/16"L carbon contact	6839Y2, Y4
27	O336	Stationary contact for brush switch	150BA7
28	O339A	Selector brush for ML6104 crosshead and brush advancer panels, and 140M selector; 5/8"L graphite contact	181893
29	O339B	Same as no. O339A , but with 15/16"L graphite contact	181894
30	O339C	Bracket only for O339A & O339B	181892
31	O340	Selector contact for floor bar ass'y.; 5/16" dia. hex head with 3/16" dia. silver contact; 2 5/16"L with #10-32 thread	150R1, 181874
32	O341	Selector contact for floor bar ass'y.; 3/8" dia. hex head with 3/16" dia. silver contact; 15/16"L with #10-32 thread	150C10