

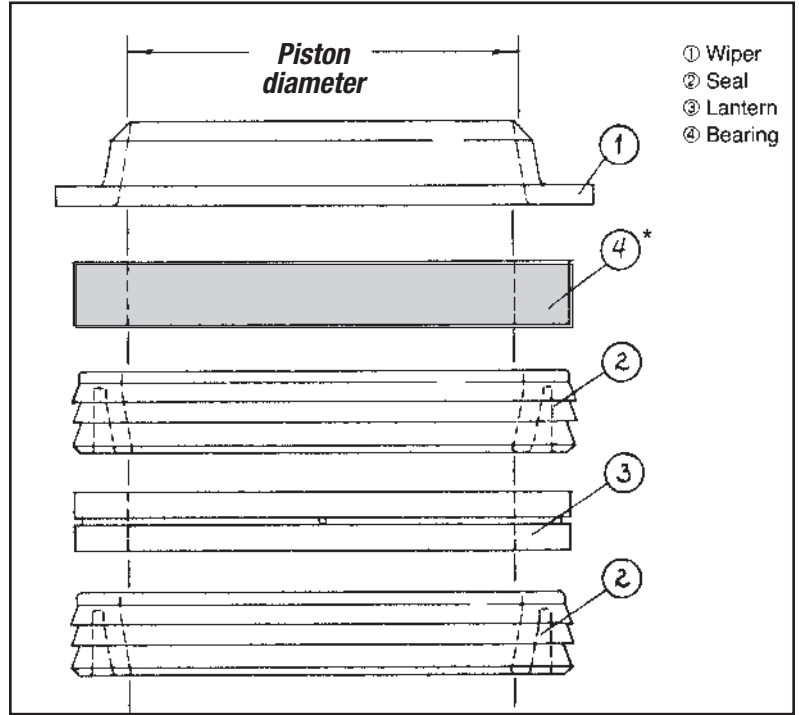
## OTIS/CAST IRON HYDRAULIC PACKING KITS

Each hydraulic packing kit for Otis/Cast Iron consists of:

- Two (2) seals
- One (1) wiper
- One (1) lantern ring

OTIS/CAST IRON		
Adams part no.	Piston diameter	Bearing no.*
GK03875OC	3 <sup>7</sup> / <sub>8</sub> "	GB03875B1
GK04375OC	4 <sup>3</sup> / <sub>8</sub> "	GB04375B1
GK05437OC	5 <sup>7</sup> / <sub>16</sub> "	GB05437B1
GK06500OC	6 <sup>1</sup> / <sub>2</sub> "	GB06500B1
GK07500OC	7 <sup>1</sup> / <sub>2</sub> "	GB07500B1
GK08500OC	8 <sup>1</sup> / <sub>2</sub> "	GB08500B1
GK09500OC	9 <sup>1</sup> / <sub>2</sub> "	GB09500B1
GK10625OC	10 <sup>5</sup> / <sub>8</sub> "	GB10625B1
GK12625OC	12 <sup>5</sup> / <sub>8</sub> "	GB12625B1

\*Bearing rings are not included with these kits; they must be ordered separately on page 67.



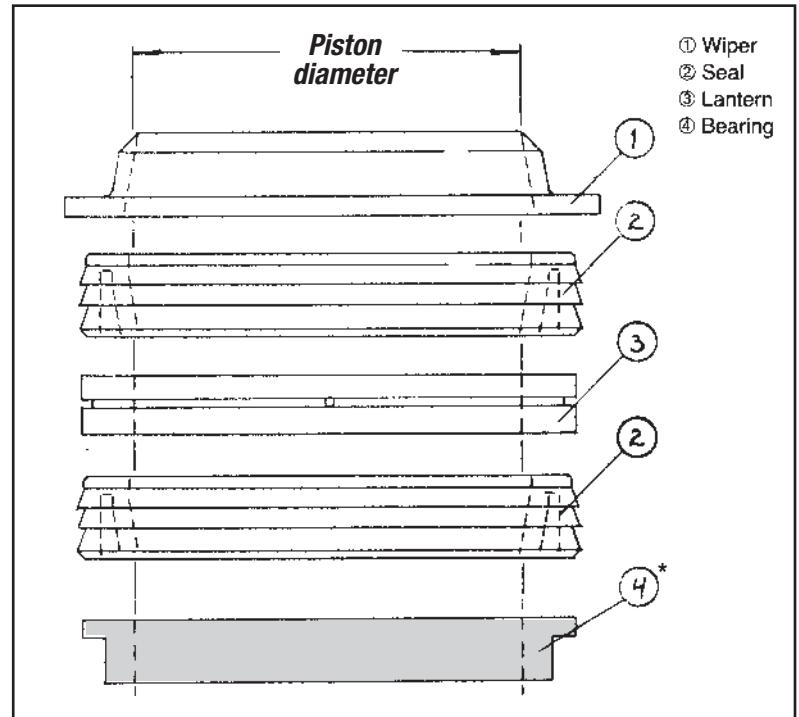
## OTIS/WELDED HEAD HYDRAULIC PACKING KITS

Each hydraulic packing kit for Otis/Welded Head consists of:

- Two (2) seals
- One (1) wiper
- One (1) lantern ring

OTIS/WELDED HEAD			
Adams part no.	Piston diameter		Bearing no.*
	Actual	Otis desig.	
GK03875OW	3 <sup>7</sup> / <sub>8</sub> "	4"	GB03875B4
GK04375OW	4 <sup>3</sup> / <sub>8</sub> "	4 <sup>1</sup> / <sub>2</sub> "	GB04375B4
GK04875OW	4 <sup>7</sup> / <sub>8</sub> "	5"	GB04875B4
GK05437OW	5 <sup>7</sup> / <sub>16</sub> "	5 <sup>1</sup> / <sub>2</sub> "	GB05437B4
GK06500OW	6 <sup>1</sup> / <sub>2</sub> "	6 <sup>1</sup> / <sub>2</sub> "	GB06500B4

\*Bearing rings are not included with these kits; they must be ordered separately on page 67.



SEE NEXT PAGE FOR  
HIGH-PRESSURE AND TELESCOPIC