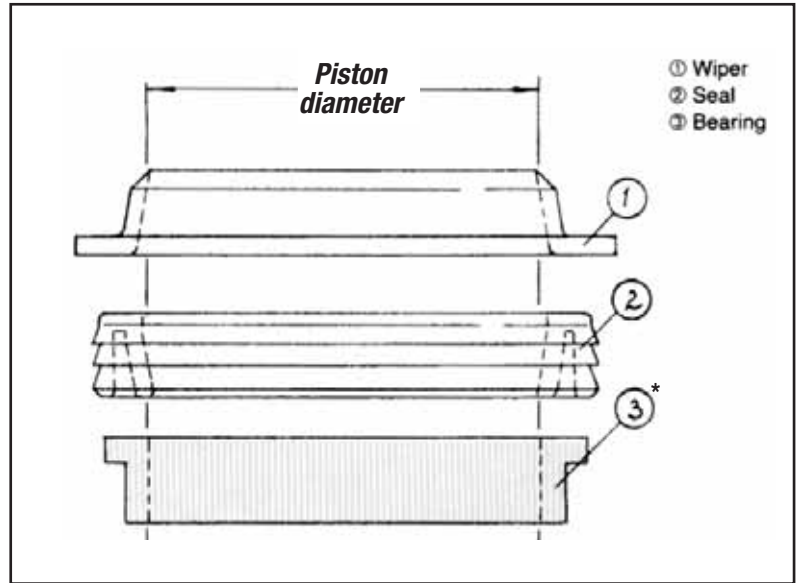


OTIS/HIGH PRESSURE HYDRAULIC PACKING KIT

Our hydraulic packing kit for Otis/High Pressure consists of:

- One (1) seal
- One (1) wiper

OTIS/HIGH PRESSURE		
Adams part no.	Piston diameter	Bearing no.*
GK02750HP	2 ³ / ₄ "	GB02750B4

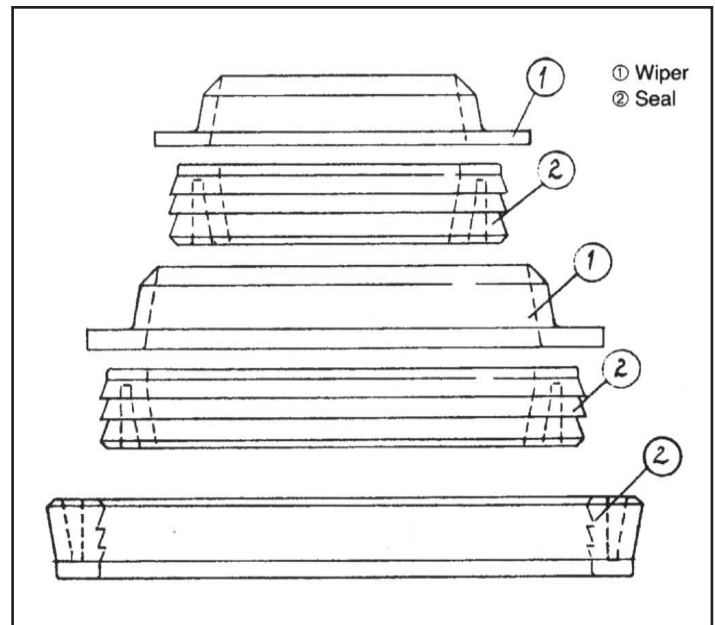


OTIS/TELESCOPIC HYDRAULIC PACKING KIT

Each hydraulic packing kit for Otis/Telescopic consists of:

- Three (3) seals, graduated sizes
- Two (2) wipers, graduated sizes

OTIS/TELESCOPIC	
Adams part no.	Otis series no.
GK1500OT	1500
GK2000OT	2000
GK2500OT	2500
GK4000OT	4000



ADAMS REPLACEMENT PACKING FOR OTIS

A patented blend of oil-resistant compounds insures long life without the risk of common “rubber breakdown.”

Unique “wavy” split design for quick and easy installation without disconnecting the motor from the geared unit.

Low friction from special baked-on finish prevents shaft scoring and damage from high temperatures.

OTIS PACKING					
Adams part no.	Machine	Dimensions			Otis part no.
		Shaft dia.	Bore dia	Thick	
AT1R019	#29	3.000"	4.500"	.500"	33D26
AT1R020	#22	2.000"	3.000"	.500"	33D29
AT1R021	#22 old	2.000"	3.250"	.500"	—
AT1R079	#17	1.938"	2.875"	.313"	33AA1
AT1R105	—	5.313"	6.250"	.500"	33D20