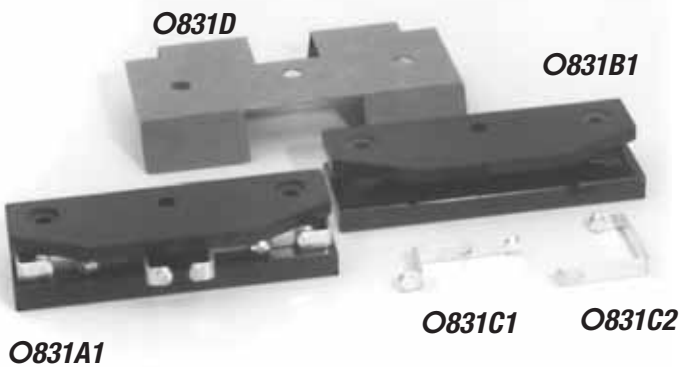


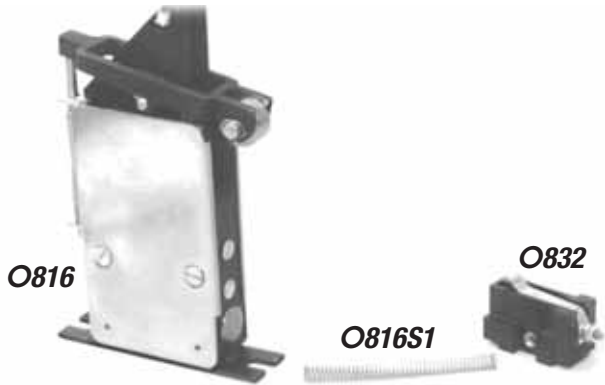
O830K COMPONENTS

Adams part no.	Description	Otis part no.
O830A1	Switch assembly, complete	For 6940AG interlock switch
O830B1	Switch base (2 required)	306JJ1
O830C1	Formed strip w/silver contact, RH	152BE2
O830C2	Formed strip w/silver contact, LH	152BE4



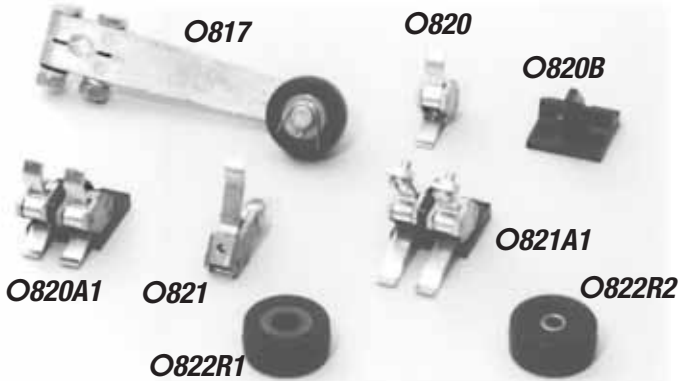
O831SERIES SWITCH & COMPONENTS

Adams part no.	Description	Otis part no.
O831A1	Switch assembly, complete	For 6940B interlock switch
O831B1	Phenolic contact base	306FX1
O831C1	Movable contact	152AV2
O831C2	Stationary contact	152AW2
O831D	Insulator	A275AR1



N2 INTERLOCK COMPONENTS

Adams part no.	Description	Otis part no.
O816	Interlock assembly, complete	6047A2
O816S1	Compression spring, 9/32" I.D. x 4 3/8"L	90BB14
O832	Interlock switch base for O816 interlock assembly (2 required), w/formed leaf spring contact; for N and NC style interlocks. (Use with Adams O803series rollers and O804 series pins, shown on page 289)	A306EB2



"L" AND "LA" DOOR LOCK COMPONENTS

Adams part no.	Description	Otis part no.
O817	Pivot arm assembly	147976
O820	Contact holder, "L" door lock	132037
O820B	Base for door lock contacts	151076
O820A1	Stationary contact assembly, "L" door lock	158492
O821A1	Stationary contact assembly, "LA" door lock	156144
O821	Contact holder, "LA" door lock	456AA1
O822R1	Rubber roller, 1.22" O.D. x 0.593" wide; 0.337" bore	456AA2
O822R2	Rubber roller, same as above with 335D bushing	