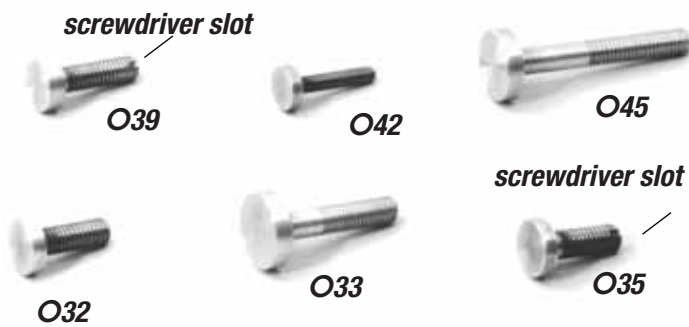


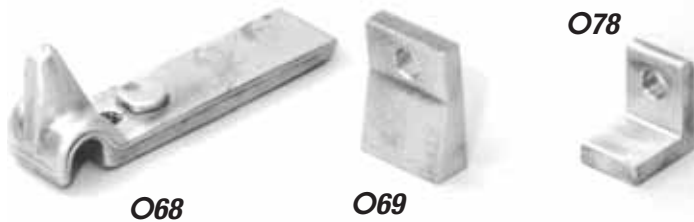


Adams part no.	Contact head		Overall stem length	Stem, smooth		Stem, threaded	
	Dia.	Thick		Dia.	Length	Thread	Length
O15	1½" sq.	⅜"	2¼"	½" sq.	7/16"	½13	1⅝"
O16	2¼"	⅜"	27/8"	½"	1¾"	⅜16	1½"
O17	1¾"	⅜"	29/16"	7/16"	15/16"	5/1618	1¼"
O18	2"	⅜"	27/8"	½"	1¾"	⅜16	1⅞"
O19	⅝"	⅜16"	1½"	3/16"	¾"	½24	¾"



Adams part no.	Contact head		Overall stem length	Stem, smooth		Stem, threaded	
	Dia.	Thick		Dia.	Length	Thread	Length
O32	¾"	3/16"	1 1/16"	5/16"	1/16"	⅜16	1"
O33	1"	¼"	1¾"	⅜"	1 1/16"	⅜16	1 1/16"
O35	¾"	3/16"	1 1/16"	—	3/16"	⅜16	7/8"
O39	¾"	¼"	1¼"	—	1/8"	⅜16	1 1/8"
O42	5/8"	3/16"	1¼"	¼"	1/8"	¼20	1 1/8"
O45	1"	¼"	2 5/8"	⅜"	1½"	⅜16	1 1/8"

*Screwdriver slot in end of threaded stem.



Adams part no.	Description	Otis part no.
O68	Copper finger for starter	137709
O69	Copper contact for starter; 1 1/8" wide x 1 1/16"L with 3/8" hole	137727
O78	Copper angle, 1 1/8" x 7/8" x 3/4" wide; 1/4" thick	134514

You can buy the frequently used copper/carbon combo of **O16** (above) and **CX31C21** (on next page) in convenient paks of 50 each.

OVP2801. 50 ea. O16 & CX31C21.

