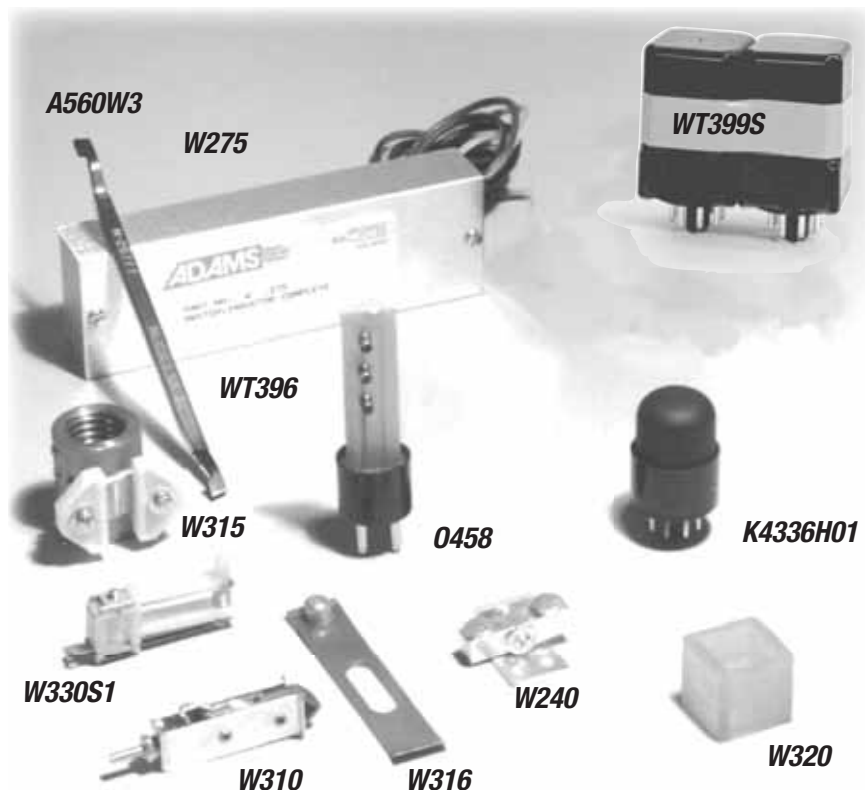


Miscellaneous Selector Components



MISCELLANEOUS WESTINGHOUSE PARTS		
Adams part no.	Description	Westinghouse part no.
A560W3	Relay adjuster wrench adjusts blade curvature and tension on W250-series relays; 0.032" slots	—
W310	Selector brush for Type N selector	M1259G03
W315	Travelling nut & cam for SN selector lead screw; 1/8" square pitch internal thread; brass nut with nylon cams eliminates need to replace entire lead screw and nut assembly when nut becomes worn	M-4700
W316	Cam blade; replaces SN selector spring that pushes the pile-up assy.	(25 pkg.)
W316C	Plastic contact cap for W316 cam blade	
W320	Rubber coupling to SN selector	K3233H01
W275	Inductor switch, complete	T-4483G19
W240	Brake contact assembly; incl. 2 silver contacts, 7/16" dia.	M-3665G2 R7533G04
W330S1	Selector switch, 1 make	217B203G01
W330S2	Selector switch, 1 break (not shown)	217B203G02
WT396	Solid-state replacement for Traffic Sentinel photo tube	H3090H11
WT398*	Electronic tube	K4336H01
WT399S	Solid-state repl. for ERL system tubes, 2/pkg.; includes installation instructions	RCA no.: 6012