

# Westinghouse Interlocks

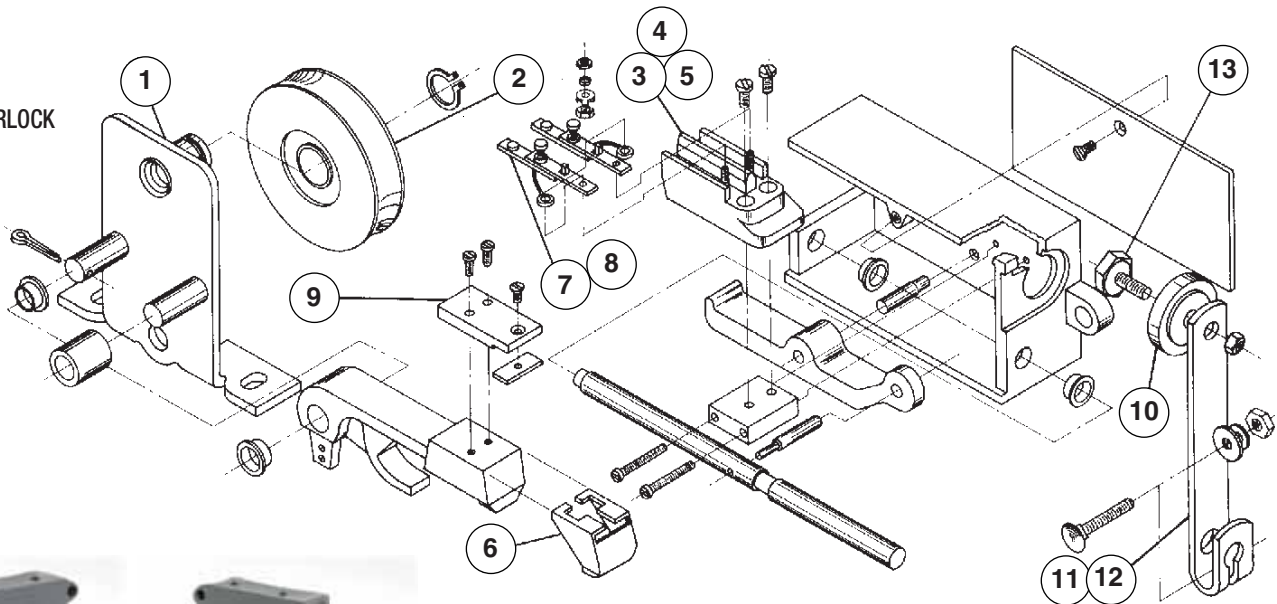
On the next 8 pages, we have listed the four types of Westinghouse interlocks for which Adams manufactures component parts.

On the left-hand pages, you'll find an exploded diagram that shows the relationship between the components in each interlock. Key numbers in the diagram correspond with the replacement parts listed in the table below each diagram.

On the right-hand pages, you'll find photographs of the component parts, followed by ordering information.

We recommend that you find the part you need in the diagrams on the left, then confirm the Adams part no. and part description with the photos on the right.

### TYPE B-2 INTERLOCK



626D686G01



626D686G02

### B-2 INTERLOCK COMPONENTS (W8100)

Key no.	Adams part no.	Description	Westinghouse part no.
	<b>626D686G01</b> <b>626D686G02</b>	Complete B2 Interlock RH Complete B2 Interlock LH	
1	<b>W405</b>	Door hanger assembly (cable studs sold sep. on p.341)	T5411
2	<b>W405A</b>	Door hanger roller	R8858G98
3	<b>W81A1</b>	Stationary contact ass'y, complete (shown above); incl. base with 2 moveable contacts, N/O	R3620G01
4	<b>W81A2</b>	Stationary contact ass'y, complete (shown, next pg.); incl. base with 2 moveable contacts, N/C	R3620G02
5	<b>W81B1</b>	Contact base only	—
6	<b>W81B2</b>	Latch lever insulator shoe	145A765H01
7	<b>W81C1</b>	Contact assembly, N/O (shown above); includes copper shunt & eyelet	R3620G3
8	<b>W81C2</b>	Contact assembly, N/C (shown, next pg.); includes copper shunt & eyelet	R3620G4
9	<b>W81C3</b>	Contact bridge block w/copper contact	R6952-10 & K59572
10	<b>W81R1</b>	Roller	K3244G01
11	<b>W81L1</b>	Roller arm	K7028H01
12	<b>W81L2</b>	Roller/roller arm assembly, complete	—
13	<b>W81S1</b>	Roller stud, threaded	K65831

### SAFETY EDGE ACCESSORIES

**W852.** Rubber cover for Westinghouse safety edge nose, 83" x 6"; incl. pre-punched mounting holes.

**W855.** Safety edge retracting unit; 5 1/2" O.D. mounting plate and 1/8" dia. steel cable, 7' long.

