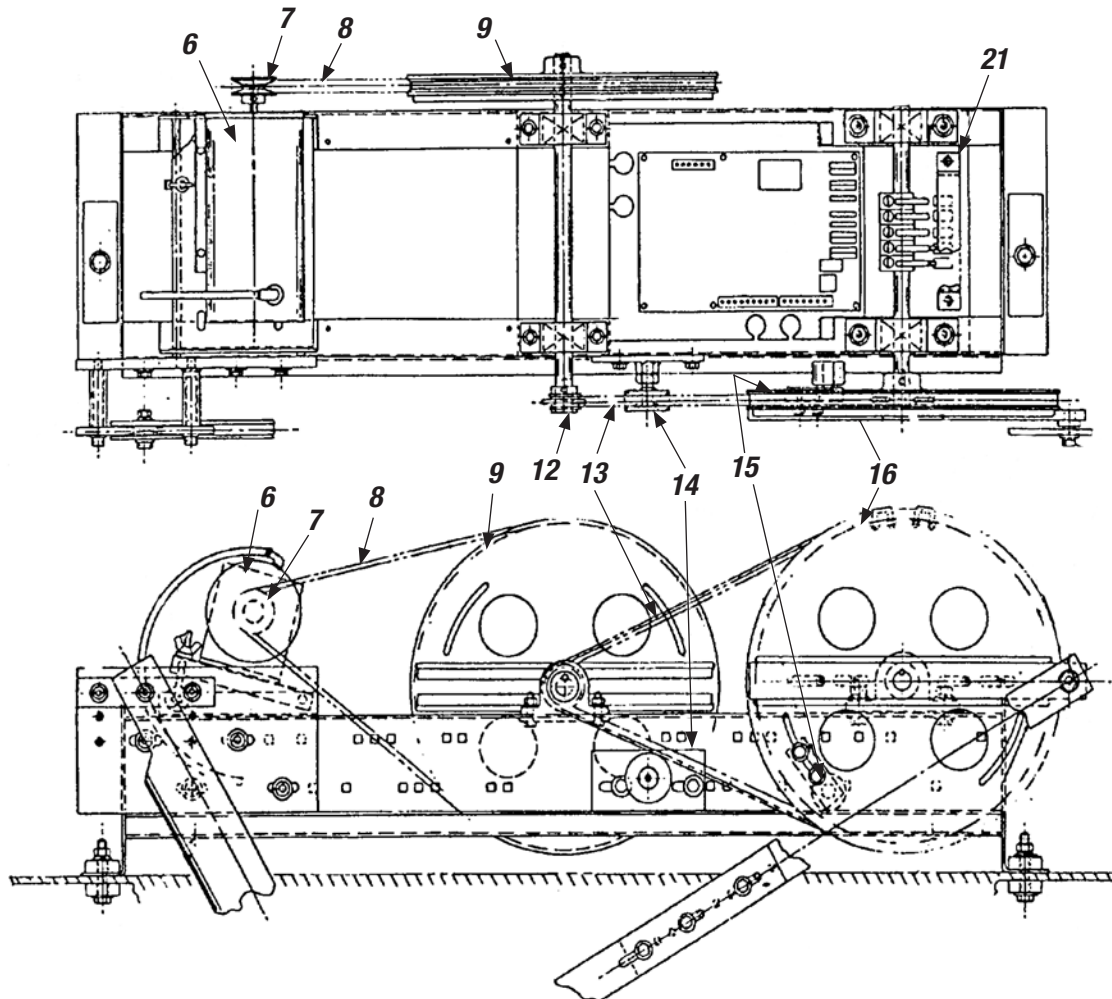


### QKS 14 & QKS 15 Door Operators



#### QKS 14 & QKS 15 DOOR OPERATORS

Key No.	QKS 14	QKS 15	Description
6A	692B863G01 [1,9]	7283C05H01 [2]	MOTOR PM (FLANGED MTD) D008
6B	7285C56H01 [1]		MOTOR PM (FOOT MTD) E675
7	5203D66H08	5203D67H08	PULLEY ASSEMBLY
8	5207D42H46	5207D42H46	V-BELT, 4L550
9	5203D66H10	5203D67H10	PULLEY WHEEL ASSEMBLY
12	5203D66H14	5203D67H14	CHAIN SPROCKET ASSEMBLY
13	5203D66H15	5203D67H15	CHAIN
14	5203D66H16	5203D67H16	CHAIN TENSION ASSEMBLY
15	5203D66H17	5203D67H17	STOP ROLLER ASSEMBLY
16	5203D66H18	5203D67H18	CHAIN WHEEL ASSEMBLY
21A	5203D66H24	5203D67H24	LIMIT SWITCH ASSEMBLY, STD

[1] THIS IS A 1/6 HP 1150 RPM PERMANENT MAGNET MOTOR

[2] THIS IS A 1/3 HP 1750 RPM PERMANENT MAGNET MOTOR

[9] USED ON EARLY GENERATION OF QKS-14 WHERE THE ADAPTER PLATE WAS PROVIDED TO ACCEPT A FLANGED MOUNTED MOTOR