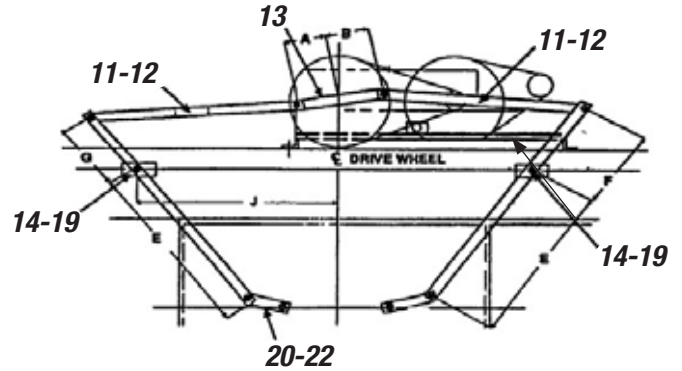


### Door Arm Assembly

QKS 14 & QKS 15 DOOR OPERATORS			
Key No.	QKS 14	QKS 15	Description
11	5203D66H25	5203D67H25	UPPER "C" LINK ASSEMBLY
12	5203D66H26	5203D67H26	UPPER "C" LINK ASSEMBLY
13	5203D66H27	5203D67H27	A&B ARM ASSB SSCO
14	5203D66H31	5203D67H31	PIVOT BRACKET ASSEMBLY
19	895-1056	1000-1056	PIVOT BAR
20	5203D66H30	5203D67H30	SLAVE BRACKET
22	895-1061	895-1061	SLAVE DOOR BRACKET



### QKS 14 & QKS 15 Clutch and Restraint Assembly

QKS 14 & QKS 15 DOOR OPERATORS		
Key No.	Part No.	Description
1A	7284C21H02	CLUTCH & RESTRAINT ASSEMBLY QKS-14 (6")
1B	7284C21H08	CLUTCH & RESTRAINT ASSEMBLY QKS-15 (6")
15	7284C21H41	CABLE ASSEMBLY-RELEASE
16	7284C21H35	HOOK ASSEMBLY

