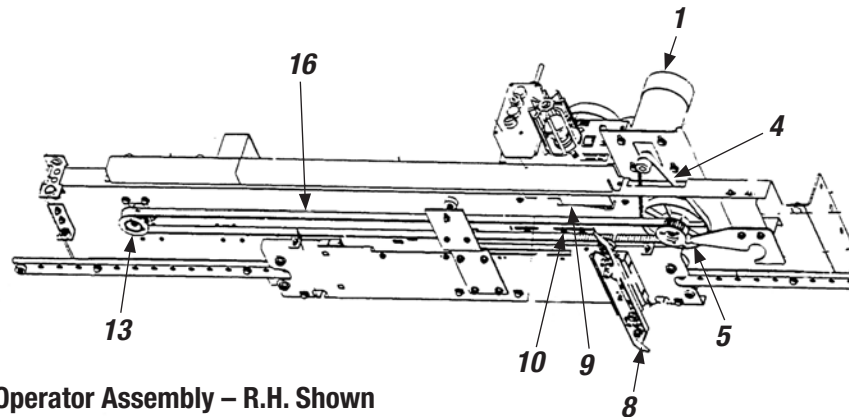


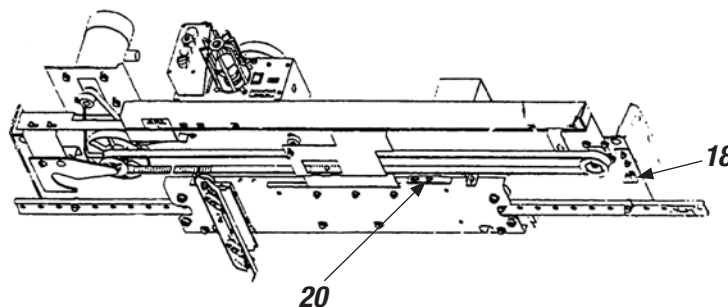
QKS 16 Door Operator (Pre-Nov. 1998)



Operator Assembly – R.H. Shown

QKS 16 DOOR OPERATORS (PRE-NOV. 1998)		
Key No.	Part No.	Description
1	7283C05H02	MOTOR
4	693B415H01	DRIVE BELT (7 RIBS)
5	7268C48H01	ENCODER PULLEY
8A	7268C26H02	CLUTCH ASSEMBLY LH
8B	7268C26H01	CLUTCH ASSEMBLY RH
9A	7431C95H26	GATE SW, LH
9B	7431C95H10	GATE SW, RH
10	1319B05H01	MAGNET (REED) SWITCH
13	7268C35H01	IDLER PULLEY
16	7268C09H04	TIMING BELT

QKS 16 Door Operator (Post-Nov. 1998)



Operator Assembly – L.H. Shown

QKS 16 DOOR OPERATORS (POST-NOV. 1998)		
Key No.	Part No.	Description
18	5065A44H01	BALL PLUNGER
20	693B464H01	DOOR HOLDING CAM