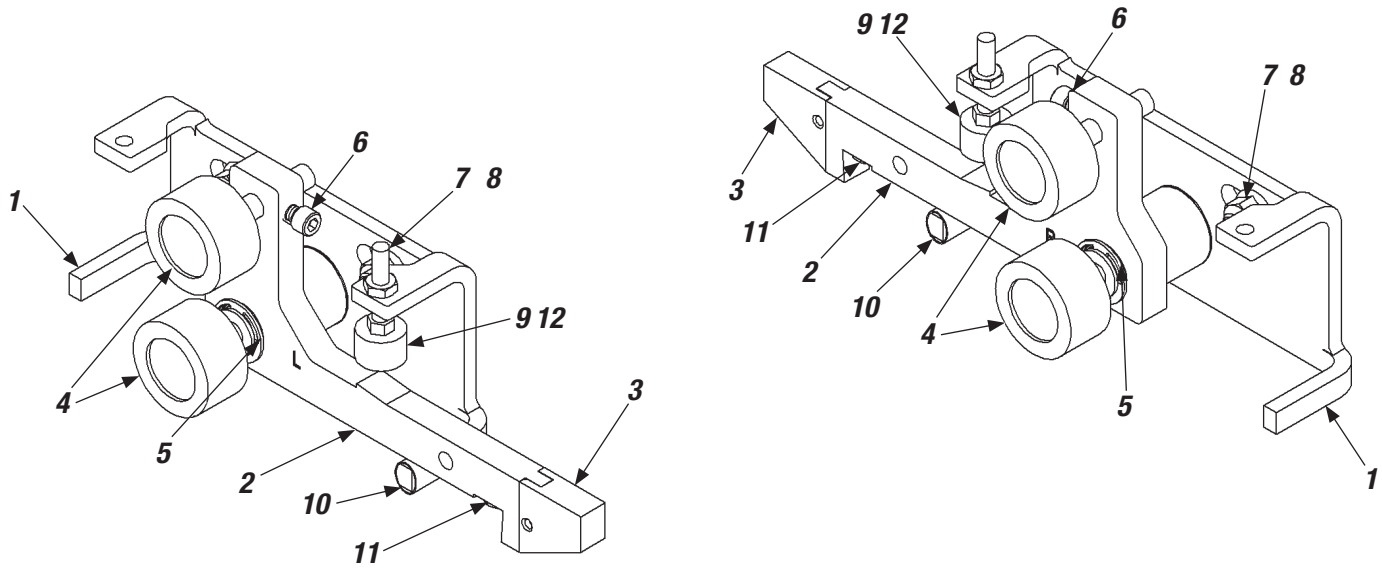


330A Hydro Drive Block



330A HYDRO DRIVE BLOCK

Key No.	Part No.	Description
1	7272C17G01	BASE PLATE ASSEMBLY
2	6993C80G01	CONTACT LATCH ASSEMBLY
3	7272C15H01	CONTACT HEAD
4	6993C81H01	DRIVE BLOCK ROLLER
5	5065A47H01	E RETAINING CLIP
6	X5BUS1H04	SELF LOCKING SOCKET HD. CAP SCREW
7	70101AX67E	CARRIAGE BOLT
8	X4TS1H11	HEX FLANGE NUT
9	5062A95H01	BUMPER
10	5062A97H01	STEM BUMPER
11	5062A98H01	LATCH BUMPER
12	70210BCA16	HEX JAMB NUT