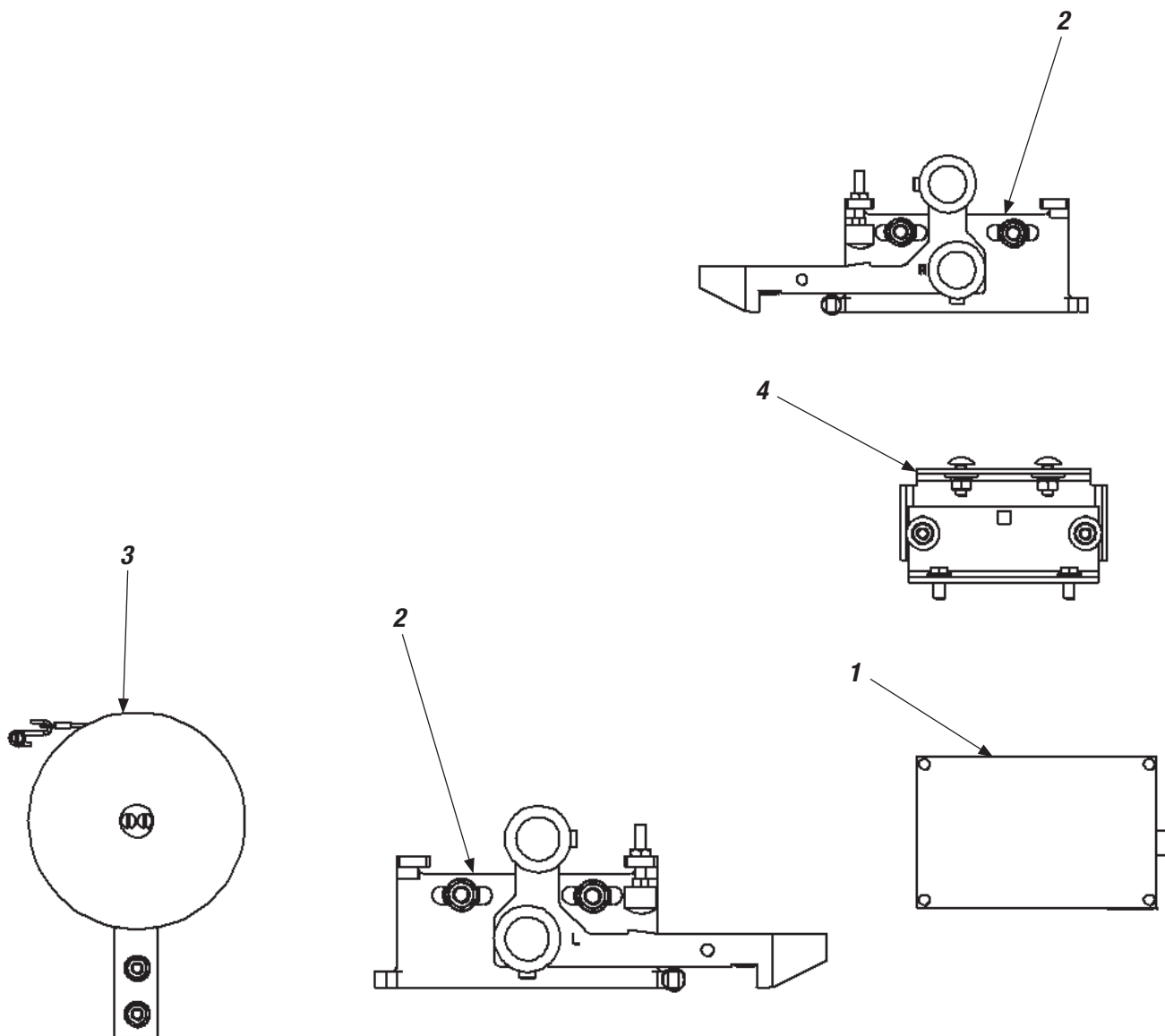


330A Hydro Entrance Header



| 330A HYDRO ENTRANCE HEADER | | |
|----------------------------|------------|----------------------------|
| Key No. | Part No. | Description |
| 1 | 5226D09H26 | INTERLOCK ASSEMBLY R.H. |
| | 5226D09H15 | INTERLOCK ASSEMBLY L.H. |
| 2 | 6997C32G01 | DRIVE BLOCK ASSEMBLY R.H. |
| | 6997C32G02 | DRIVE BLOCK ASSEMBLY L.H. |
| 3 | 7262C37G02 | SPIRATOR ASSEMBLY PHASE II |
| 4 | 6993C54G01 | INTERLOCK BRACKET ASSEMBLY |