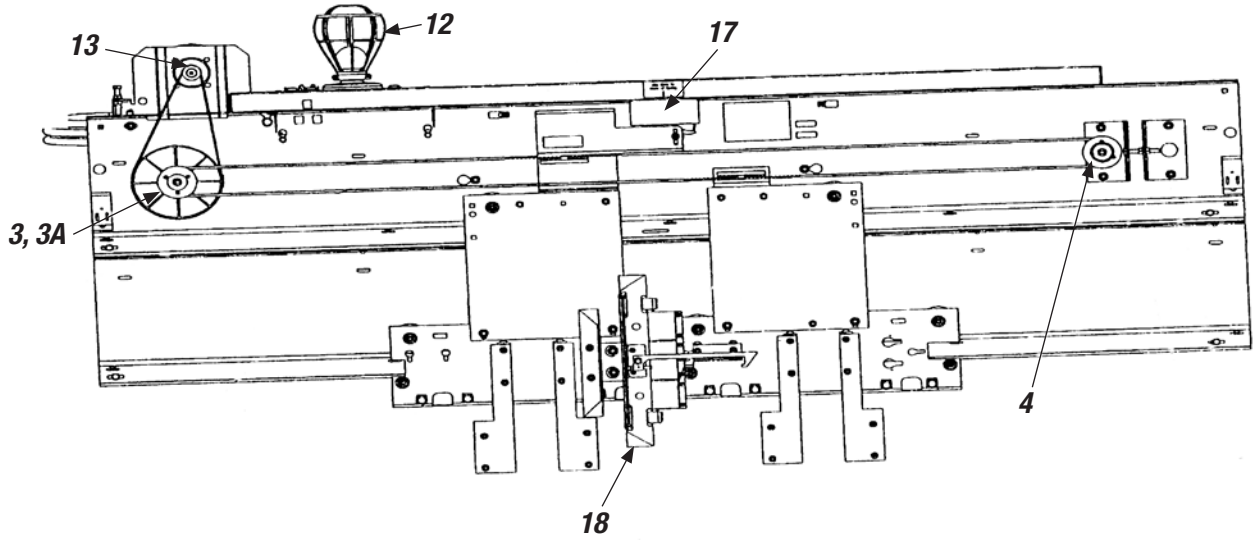
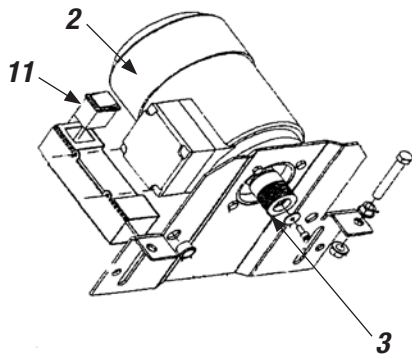


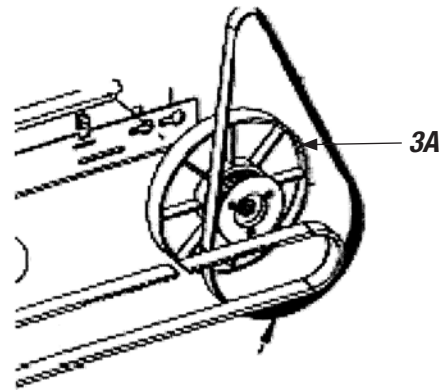
QKS 16/QKS 16-VF DOOR OPERATOR (330A Hydro/400A Traction) (42" Center Opening)



QKS 16/QKS 16-VF DOOR OPERATOR			
Key No.	Part # QKS-16	Part # QKS-16-VF	Description
3	7268C48G01	—————	ENCODER PULLEY W/O MAGNET
3A	—————	962718 [4]	ENCODER PULLEY W/MAGNET
4	7268C35G01	7268C35G01	IDLER PULLEY
12	6996C12H01	6996C12H22	CAR TOP MAINT. STN., (CTMS) [5]
13	—————	6997C39H01	ENCODER ASSEMBLY
17	7431C95H10	7431C95H10	GATE SWITCH-R.H.
18	8535C72G01 [3]	8535C72G01 [3]	CLUTCH ASSEMBLY-R.H.



Key No.	Part No.	Description
2	6997C40H01	AC MOTOR [2]
3	693B440H02	DRIVE SHEAVE 1.43 X 1.375 DIA.
11	7257C63H36	DOOR OPEN.CLOSE SW [3]



Key No.	Part No.	Description
3A	962718	ENCODER PULLEY W/MAGNET ASSEMBLY