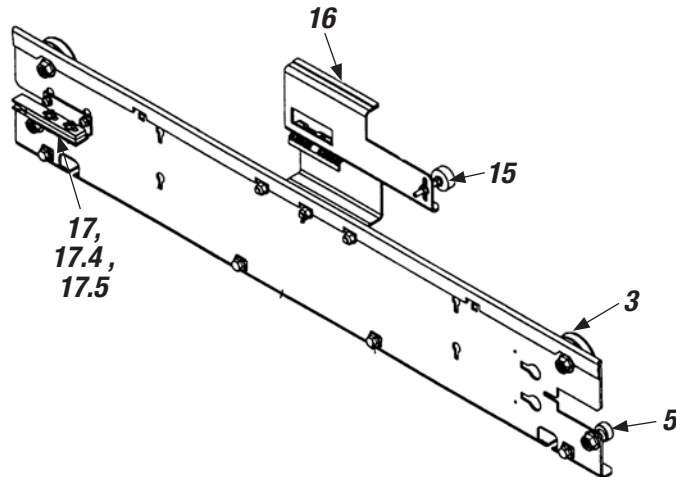


Hanger Assembly (330A Hydro/400A Traction)

(36" & 42" Side Opening)



HANGER ASSEMBLY		
Key No.	Part No.	Description
3	W415	ROLLER
5	W408P	UP THRUST ROLLER ASSEMBLY
15	5061A67G01	GATE SWITCH ROLLER ASSEMBLY
15.1	7431C95H15	ROLLER
16	1319B39H06	MAGNETIC TAPE [1], [2]
17	6993C53G03	DOOR HOLDER ASSEMBLY-R.H. [1]
	6993C53G04	DOOR HOLDER ASSEMBLY-L.H. [1]
17.4	693B535H01	LEAF SPRING
17.5	693B464H02	DOOR HOLDING CAM