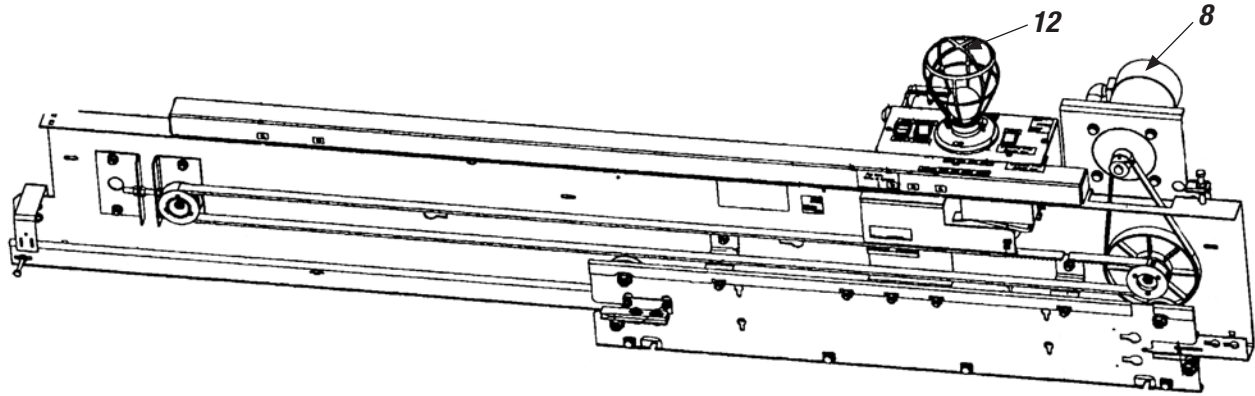
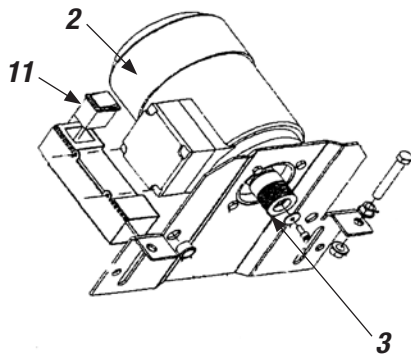


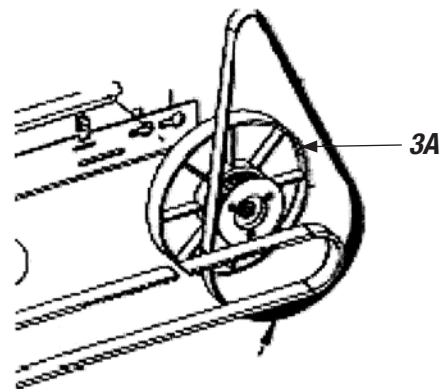
QKS 16/QKS 16-VF DOOR OPERATOR (330A Hydro/400A Traction) (36" & 42" Side Opening)



| QKS 16/QKS 16-VF DOOR OPERATOR | | | |
|--------------------------------|----------------|------------------|---------------------------------|
| Key No. | Part # QKS-16 | Part # QKS-16-VF | Description |
| 8 | 7283C05H02 | ————— | P.M. MOTOR |
| 8A | ————— | 7278C57 [2] | ACVF MOTOR, SUB ASSEMBLY (L.H.) |
| 12 | 6996C12H01 [5] | 6996C12H22 [5] | CAR TOP MAINT. STN., (CTMS) |
| 13 | ————— | 6997C39H01 | ENCODER ASSEMBLY |



| Key No. | Part No. | Description |
|---------|------------|--------------------------------|
| 2 | 6997C40H01 | AC MOTOR [2] |
| 3 | 693B440H02 | DRIVE SHEAVE 1.43 X 1.375 DIA. |
| 11 | 7257C63H36 | DOOR OPEN.CLOSE SW |



| Key No. | Part No. | Description |
|---------|----------|----------------------------------|
| 3A | 962718 | ENCODER PULLEY W/MAGNET ASSEMBLY |