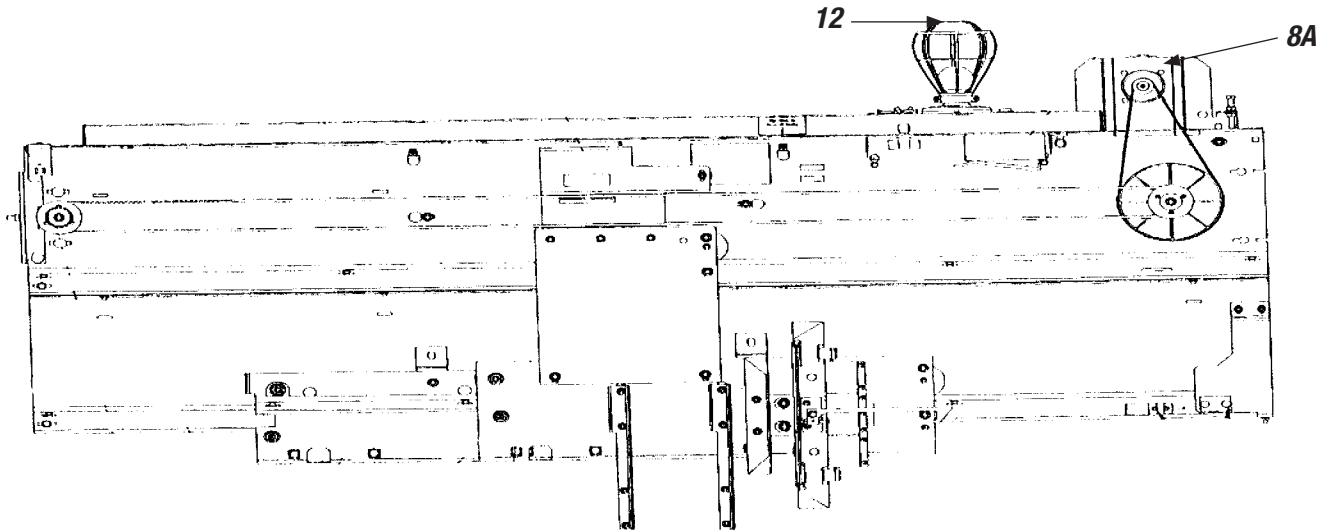
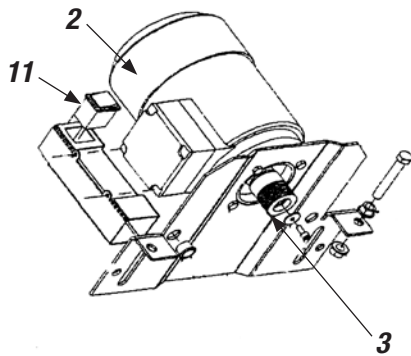


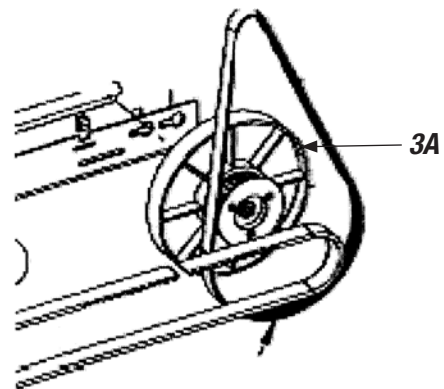
QKS 16/QKS 16-VF DOOR OPERATOR (330A Hydro/400A Traction)
 (48" Side Opening)



QKS 16/QKS 16-VF DOOR OPERATOR			
Key No.	Part # QKS-16	Part # QKS-16-VF	Description
8	7283C05H02	—————	P.M. MOTOR
8A	—————	7278C57G02 [2]	ACVF MOTOR, SUB ASSEMBLY
12	6996C12H01 [5]	6996C12H22 [5]	CAR TOP MAINT. STN., (CTMS)
13	—————	6997C39H01	ENCODER ASSEMBLY



Key No.	Part No.	Description
2	6997C40H01	AC MOTOR [2]
3	693B440H02	DRIVE SHEAVE 1.43 X 1.375 DIA.
11	7257C63H36	DOOR OPEN.CLOSE SW



Key No.	Part No.	Description
3A	962718	ENCODER PULLEY W/MAGNET ASSEMBLY