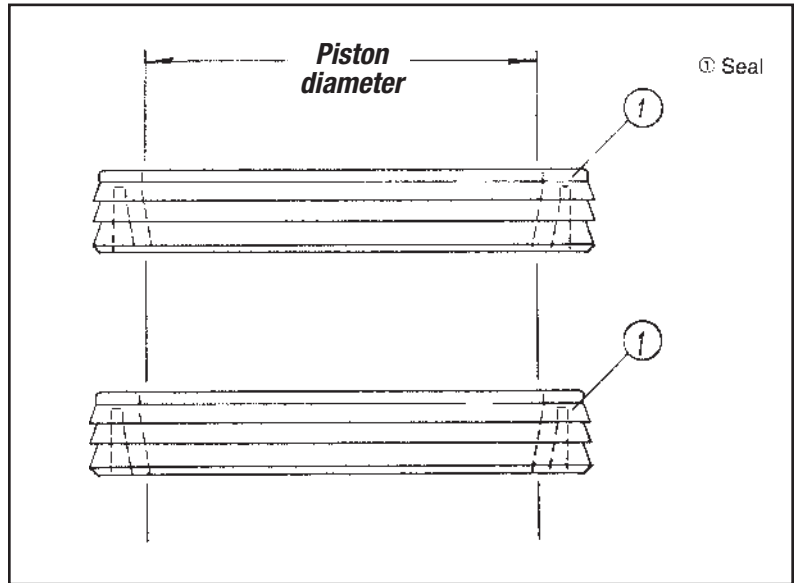


Hydraulic Packing Kits

Each hydraulic packing kit for Westinghouse consists of:

- Two (2) seals

WESTINGHOUSE	
Adams part no.	Piston diameter
GK03500W	3 1/2"
GK03750W	3 3/4"
GK04000W	4"
GK04500W	4 1/2"
GK05500W	5 1/2"
GK06000W	6"
GK06500W	6 1/2"
GK07000W	7"
GK08000W	8"



ADAMS REPLACEMENT PACKING FOR WESTINGHOUSE

A patented blend of oil-resistant compounds insures long life without the risk of common "rubber breakdown."

Unique "wavy" split design for quick and easy installation without disconnecting the motor from the geared unit.

Low friction from special baked-on finish prevents shaft scoring and damage from high temperatures.

Additional information about table at right:

- All motors listed as "gear center" are also known as "out-board" or "A" stand.
- Seals described as "sheave" are gear-case-to-sheave seals that are approximately 1/8"-thick rubber.
- Kits include sheave and seals for worm and gear motors.

WESTINGHOUSE PACKING					
Adams part no.	Machine	Dimensions			West. part no.
		Shaft dia.	Bore dia	Thick	
AT1R004 AT1R005	#38 hoist, worm #57 hoist, #58 old, and #61 worm	3.125"	4.250"	.500"	X30ES1H20 X30ES1H09
AT1R006 AT1R007 AT1R022	#37 worm shaft #18 worm shaft #28 gear center	2.438" 1.750" 3.688"	3.438" 3.188" 4.750"	.500" .500" .500"	R7311H17 X30ES1H13 X30ES1H15
AT1R031 AT1R050 AT1R048	#38 gear center, #31 worm #18 gear center #38 gear center*	4.000" 2.563" 4.500"	5.000" 3.750" 5.500"	.688" .500" .500"	R7311H25 X30ES1H12 X30ES1H18
AT1M057 AT1M130 AT1M139	#38 sheave #28 sheave #18 sheave	9.750" 8.125" 6.855"	11.30" 9.250" 8.500"	— — —	2890C79H01 6917C89H01 6918C45H01
AT1K004 AT1K005 AT1K006	#38 sheave kit #28 sheave kit #18 sheave kit	— — —	— — —	— — —	2900C27G02 6917C91G02 6918C44G02

*AT1R048 is for #38 machines, type 198C267; for type 534F909, order part no. AT1R031.