

Adams replacements for Westinghouse Type "A" signal equipment match their OEM counterparts exactly. Now you can restore worn hall and cab panels to like-new condition...retain the characteristic Westinghouse look and operating features...and meet ADA requirements.

All position indicator, car panel, and hall equipment components install the same as OEM parts. Mounting patterns, character style, operating characteristics...all of these match OEM specifications.

Please specify character for each lens.  
Button diameter with cap = 1.112" to 1.115".

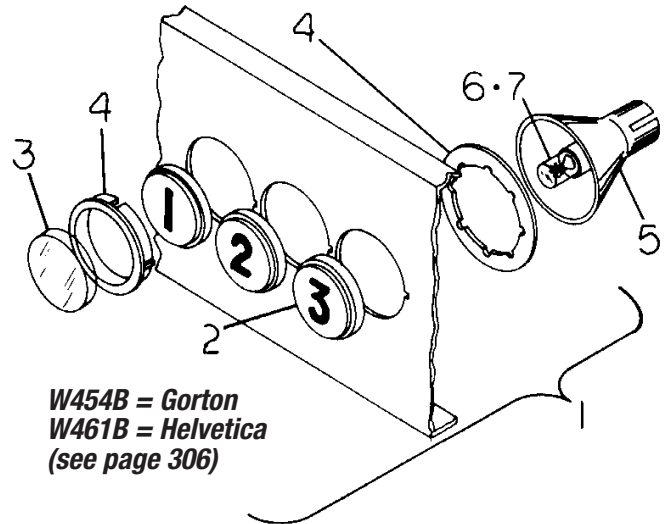
POSITION INDICATOR COMPONENTS			
Key no.	Adams part no.	Description	Westinghouse part no.
2	<b>W454B</b> [-character]	Position indicator lens, white with black Gorton character & clear cap	325C877G series
	<b>W461B</b> [-character]	Position indicator lens, white with black Helvetica character & clear cap	1180C52, 53 series
3	<b>W454BC1</b>	Clear cap for P.I. lens	146A560H05
4	<b>W454D</b>	Ferrule (w/speed nut); high-impact Lexan®	569A920H01 X4S2
5	<b>W454RF1</b>	Reflector funnel for lamp	569A868H01
—	<b>W454W</b>	White P.I. lens without cap	—
6	<b>A480L14</b>	Lamp, 90 volt clear, type 90MB; 10/pkg.	X46AS3H44, X46A45
7	<b>A480L15</b>	Lamp, 120 volt clear, 120MB; 10/pkg.	X46AS2H20

For blank buttons without caps: Order W456W for white button wafer.  
Button diameter with cap = 1.112" to 1.115".

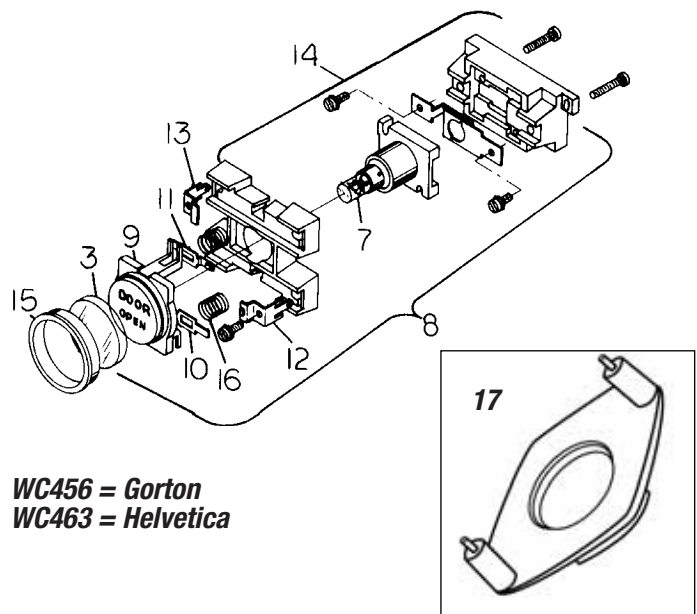
ADA-COMPLIANT CAR PANEL COMPONENTS*			
Key no.	Adams part no.	Description	Westinghouse part no.
8	<b>WC456A1W</b>	Complete switch ass'y., 2NO cont.**	103D251G ser. <sup>1</sup>
8	<b>WC456A2W</b>	Complete switch ass'y., 1NO/1NC**	103D252G ser.
9	<b>WC456Wxx</b> <b>WC463Wxx</b>	White button w/black character, clear cap; specify character**	103D250H ser. 196C921 ser.
10	<b>W456C1</b>	Movable contact bridge, NO	151B439-G01
11	<b>W456C2</b>	Movable contact bridge, NC	151B439-G02
12	<b>W456C3</b>	Stationary contact, NO	—
13	<b>W456C4</b>	Stationary contact, NC	—
14	<b>W456D1</b>	Switch base assembly; includes top and bottom base, lamp holder, lamp contacts	—
15	<b>W456F</b>	Ferrule, with speed nut; high-impact Lexan	151B440H01
17	<b>W456F1</b>	Ferrule	630B562G01
16	<b>W456S1</b>	Compression spring for movable contact bridge, 7/16"L x 5/16"OD	X9J27

\*Non-ADA pushbutton replacements are available as a special order.  
\*\*Most characters are available. May be a Lead Time on special orders.  
<sup>1</sup>Also 103D250G series.

**W454/461-Series Type "A" Position Indicator**



**W456/463-Series Type "A" Car Switch Assembly**



Adams part no.  
**WC456W-XFH/CC.**  
A-Line "Call Cancel" button.