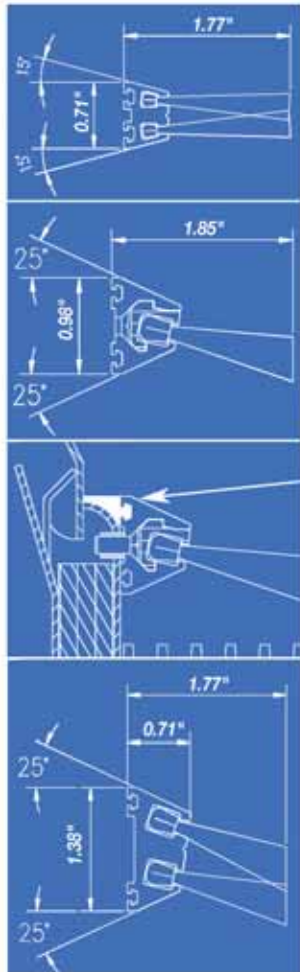


SafetyStrip exceeds A17 code requirements



Narrow Double **NEW!**

- Only 0.710" wide
- Center mounting screws (concealed and countersunk) permit easy removal and re-attachment, if required
- Rigid extruded aluminum imparts lasting durability

Single

- 0.98" wide
- Designed for applications where double brush is too large
- Single-row brush gives adequate protection in most applications

NEW!

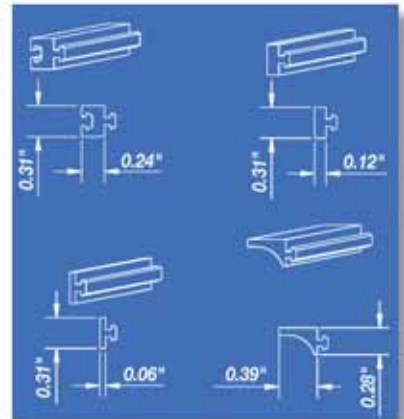
Single w/Radius Adaptor

Same as above, for Westinghouse L & M escalators, used to gain additional clearance.

Wide Double

- The original indestructible deflector brush for extreme applications
- 1.38" wide
- Recommended where heavy use and abuse are expected

Always check with your local code authority for acceptable installation clearances



Filler strips slide easily into patented T-slots on backside of extrusions to allow parallel installations on uneven surfaces



From left to right: Wide Double, Single, and Narrow Double SafetyStrip configurations. Flagged nylon brushes pack high-density protection into a small space, giving riders a firm but gentle reminder to stay clear of the side wall

SAFETYSTRIP IS THE MOST EFFECTIVE WAY TO PREVENT SIDE-OF-STEP ENTRAPMENT ACCIDENTS ON ALL ESCALATORS. FIND OUT ABOUT IT TODAY!

Survey worksheets available from your ADAMS representative, or at www.adamselevator.com