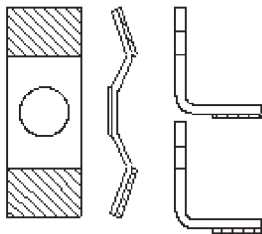


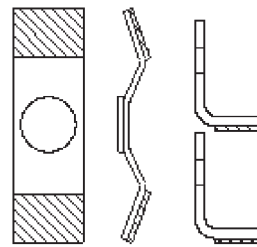
### Allen-Bradley Bulletin 500

ORDERING INFORMATION		
Part no.	Size	Amps
AB40410-331-51	0	15/20
AB40410-331-52/54	1	30
AB40420-322-51/52	2	60
AB40430-300-51/52/53	3	100

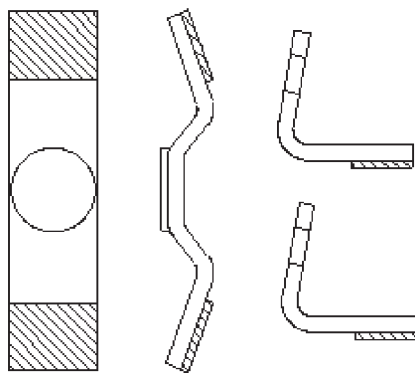
**AB40410-331-51**



**AB40410-331-52/54**



**AB40420-322-51/52**



**AB40430-300-51/52/53**

