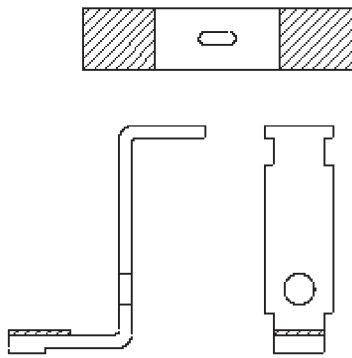


# Cutler Hammer

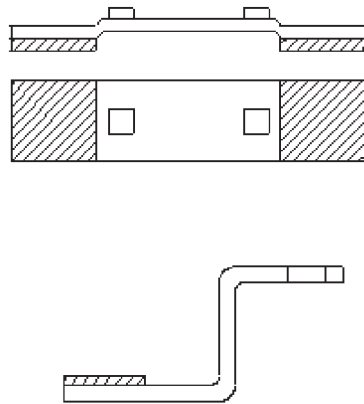
## ORDERING INFORMATION

Part no.	Size	Series
CH6-23-2	1	A1
CH6-24-2	2	A1
CH6-34-2	2	B1
CH6-25-2	3	A1
CH6-35-2	3	B1

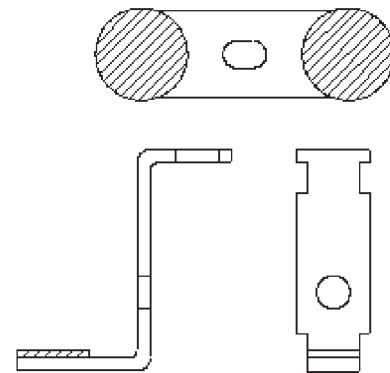
**CH6-23-2**



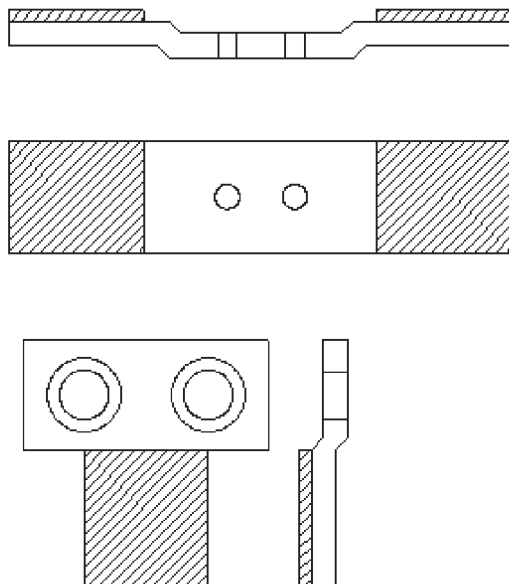
**CH6-24-2**



**CH6-34-2**



**CH6-25-2**



**CH6-35-2**

