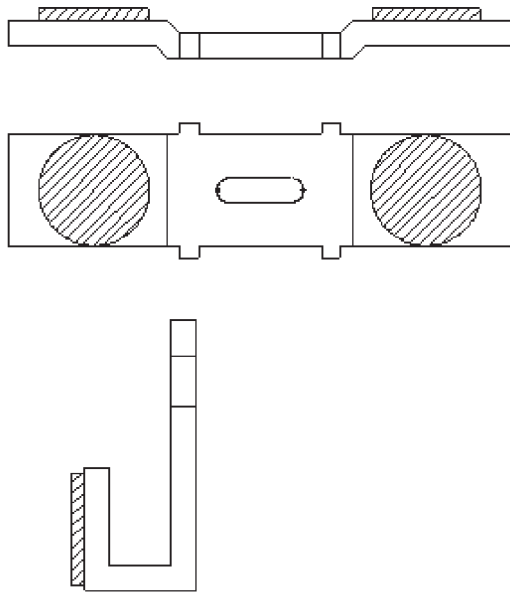


# Cutler Hammer

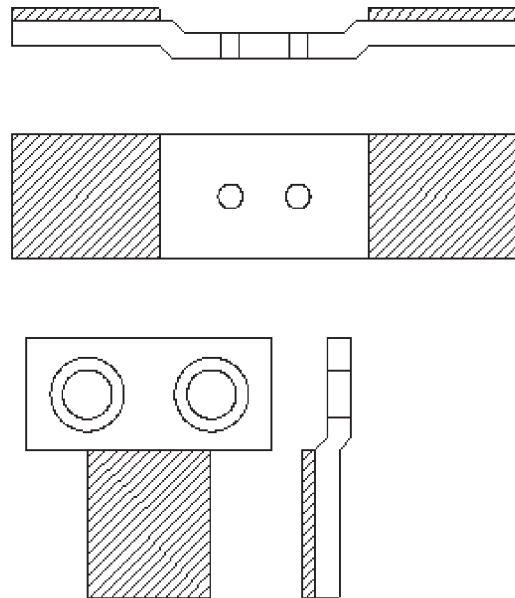
## ORDERING INFORMATION

Part no.	Size	Series
CH6-36-4	4	B1
CH6-26-2	4	A1
CH6-36-2	4	B1
CH6-27-2	5	A1

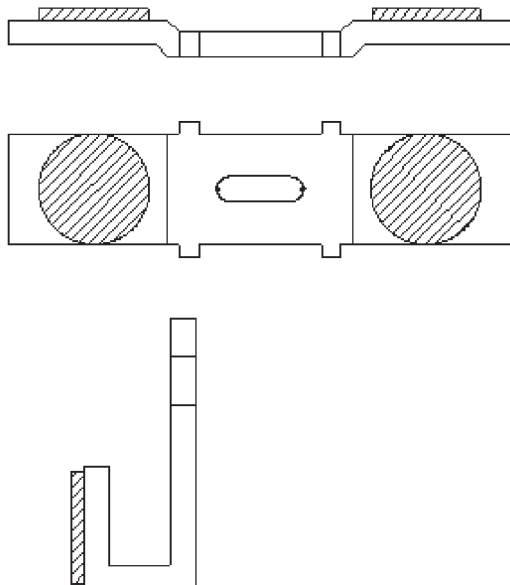
**CH6-36-4**



**CH6-26-2**



**CH6-36-2**



**CH6-27-2**

