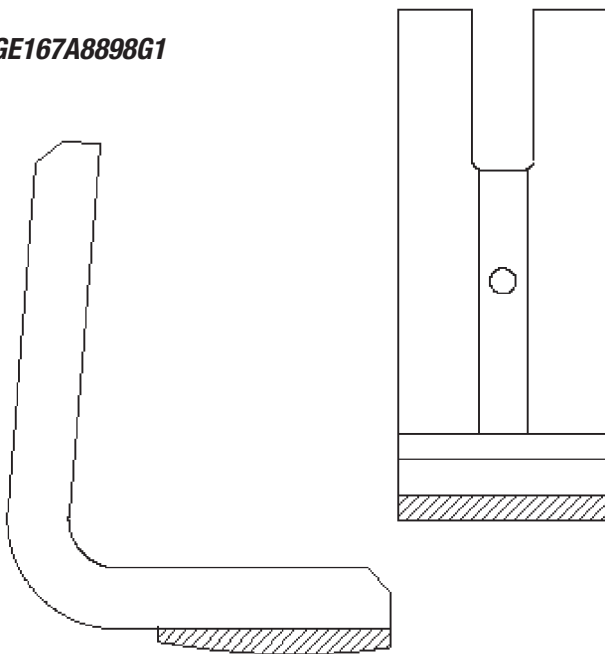


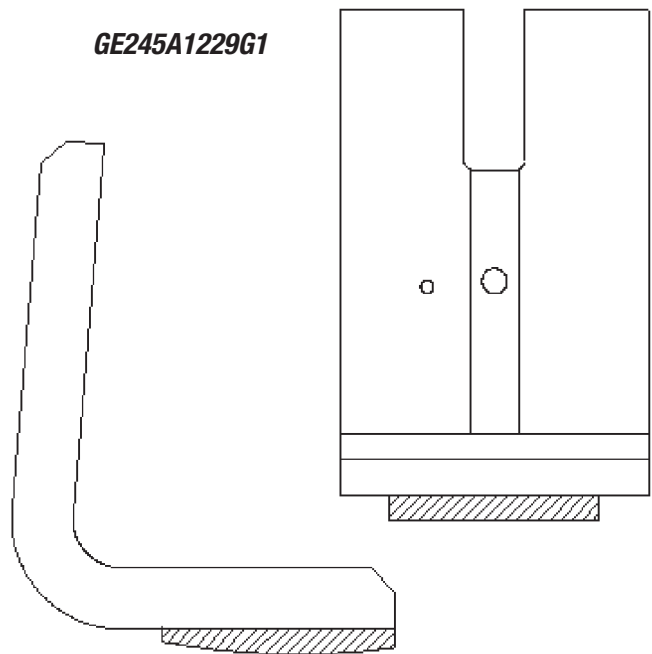
General Electric—5kv Medium Voltage

| ORDERING INFORMATION | |
|----------------------|---------|
| Part no. | Amps |
| GE167A8898G1 | 200/400 |
| GE245A1229G1 | 700 |
| GE167A9956G1 | 400 |
| GE138A1125G1 | 400 |

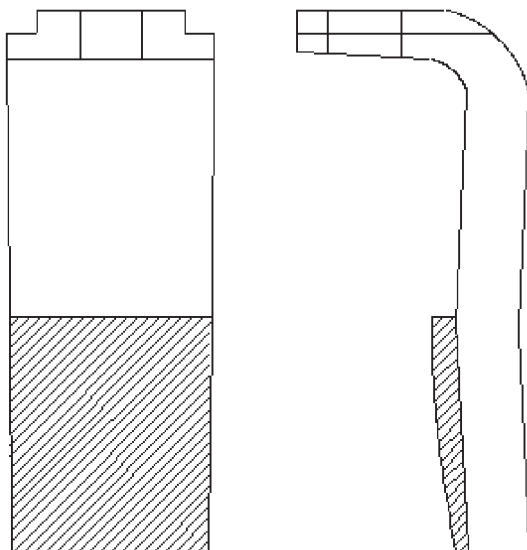
GE167A8898G1



GE245A1229G1



GE167A9956G1



GE138A1125G1

