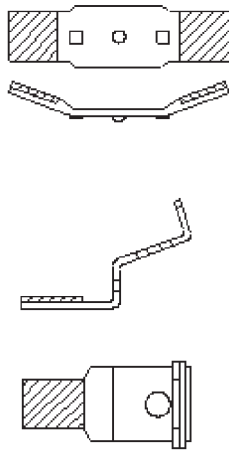


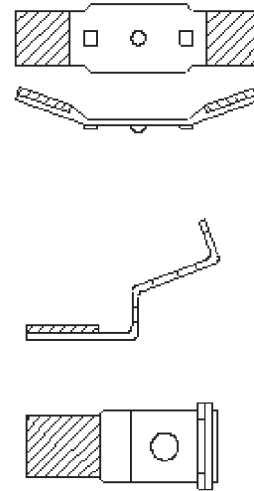
# Square "D"—Class 9998 SL

ORDERING INFORMATION	
Part no.	Size
SQDSL2	0
SQDSL3	1-1P
SQDSL4	2
SQDSL7	3

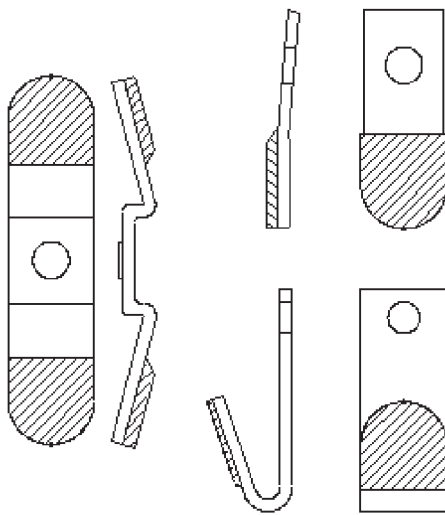
**SQDSL2**



**SQDSL3**



**SQDSL4**



**SQDSL7**

