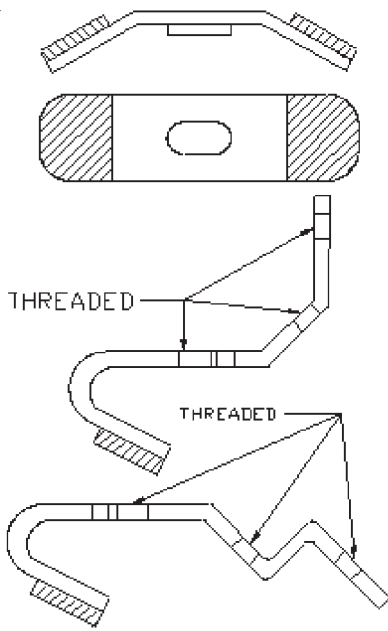


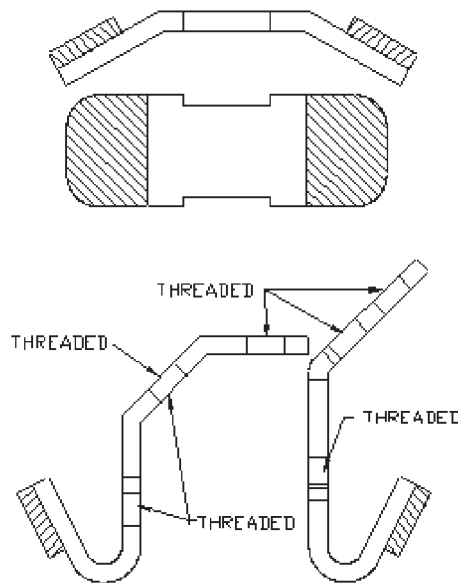
Trane Company—Definite Purpose

ORDERING INFORMATION	
Part no.	Amps
T1233	75
T1234	90
T1235	120
T1236	150
T1237	210

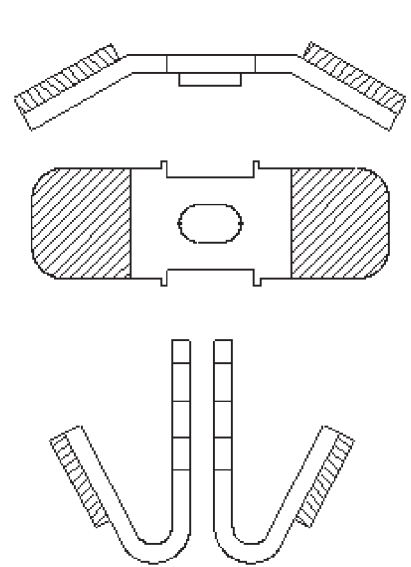
T1233



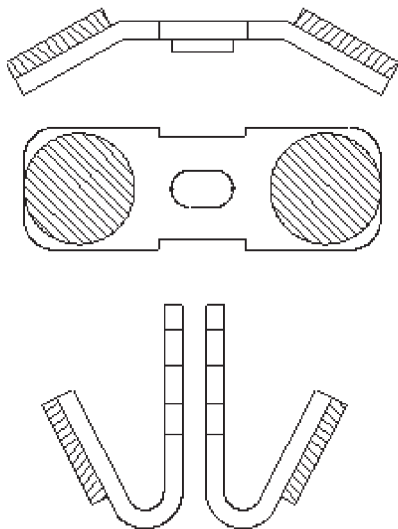
T1234



T1235



T1236



T1237

