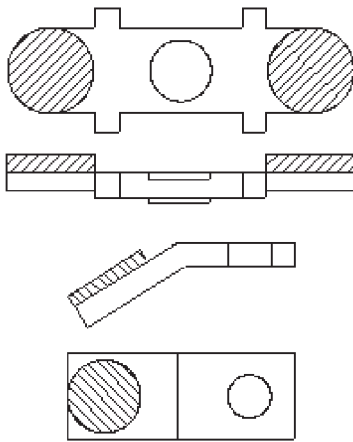


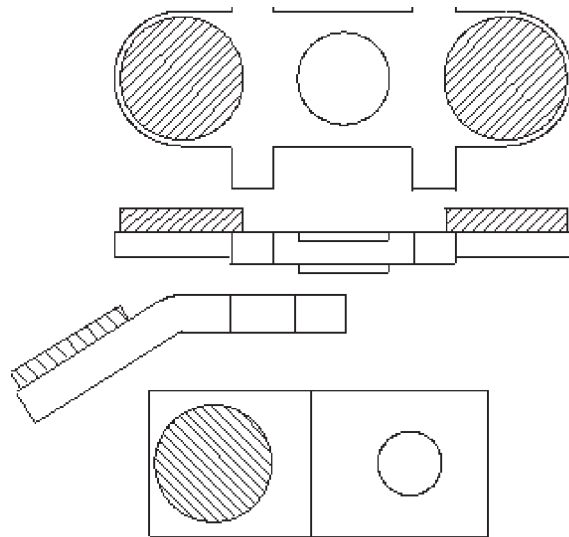
Ward Leonard—5000 DP, 5999, 7400, 5950, 5960

ORDERING INFORMATION			
Part no.	Size	Amps	Contact config.
WL5M52	2	60/56	NO
WL5M53	3	11/110	NO
WL5M54	4	200/180	NO
WL5M49	3	110/110	NC
WL5M49	4	200/180/260	NC

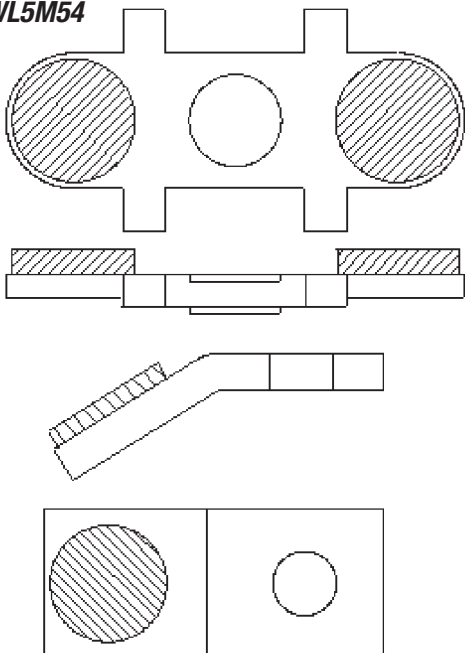
WL5M52



WL5M53



WL5M54



WL5M49

