

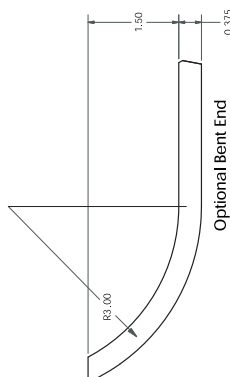
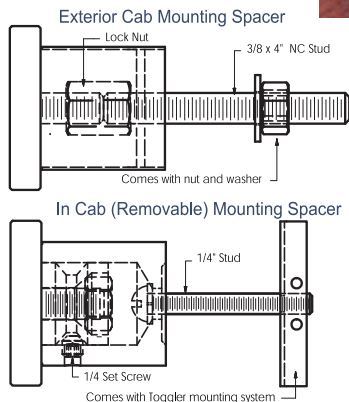
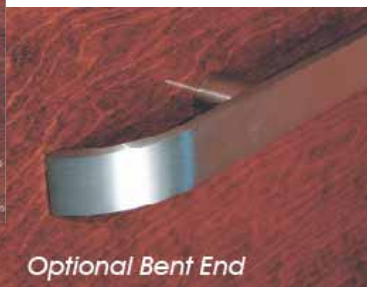
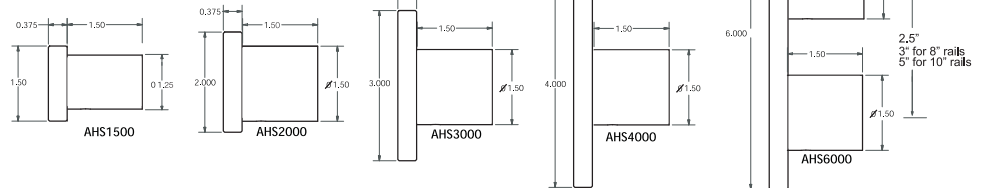
SOLID FLAT BAR HANDRAILS

STAINLESS • BRONZE • BRASS



Heavy-duty Design: Rugged solid flat bar handrails can withstand the daily use and abuse of any passenger or freight elevator. This line of handrails takes full advantage of our standard CNC precise-machined components. The result is another durable handrail product line manufactured directly from you measurements and specifications on our easy-to-use worksheet. Our accuracy matches your measurements and your standards.

Options & Features



SOLID FLAT BAR HANDRAIL ORDERING INFORMATION	
1 1/2" width	
Part #	Description
AHS1500S	Solid flat stainless #4 brushed
AHS1500SP	Solid flat stainless #8 polished
AHS1500YB	Solid flat yellow brass #4 brushed
AHS1500YBP	Solid flat yellow brass #8 polished
AHS1500B	Solid flat bronze #4 brushed
AHS1500BP	Solid flat bronze #8 polished
2" width	
AHS2000S	Solid flat stainless #4 brushed
AHS2000SP	Solid flat stainless #8 polished
AHS2000YB	Solid flat yellow brass #4 brushed
AHS2000YBP	Solid flat yellow brass #8 polished
AHS2000B	Solid flat bronze #4 brushed
AHS2000BP	Solid flat bronze #8 polished
3" width	
AHS3000S	Solid flat stainless #4 brushed
AHS3000SP	Solid flat stainless #8 polished
AHS3000YB	Solid flat yellow brass #4 brushed
AHS3000YBP	Solid flat yellow brass #8 polished
AHS3000B	Solid flat bronze #4 brushed
AHS3000BP	Solid flat bronze #8 polished
4" width & 6" width	
AHS4000S / AHS6000S	Solid flat stainless #4 brushed
AHS4000YB / AHS6000YB	Solid flat yellow brass #4 brushed
AHS4000B / AHS6000B	Solid flat bronze #4 brushed
8" width & 10" width	
AHS8000S / AHS10000S	Solid flat stainless #4 brushed