

# New and Enhanced HatchLatch®

## Locks the Door on Unsafe Elevator Cab Openings

**HatchLatch®** comes standard with all the material you need to protect one elevator up to five floors. To protect more than 5 floors, order additional reflective tape (see table below).

### Here's how it works:

#### Reflective Tape

You position pieces of reflective tape in the hatchway inside the landing zone and on the door operator.

#### First Photoeye

When the first of the two HatchLatch® photoeyes “sees” the tape in the hoistway, it senses that the elevator is inside the landing zone.

#### Second Photoeye

When the second HatchLatch® photoeye “sees” the tape on the door operator, it picks up a solenoid-controlled plunger.

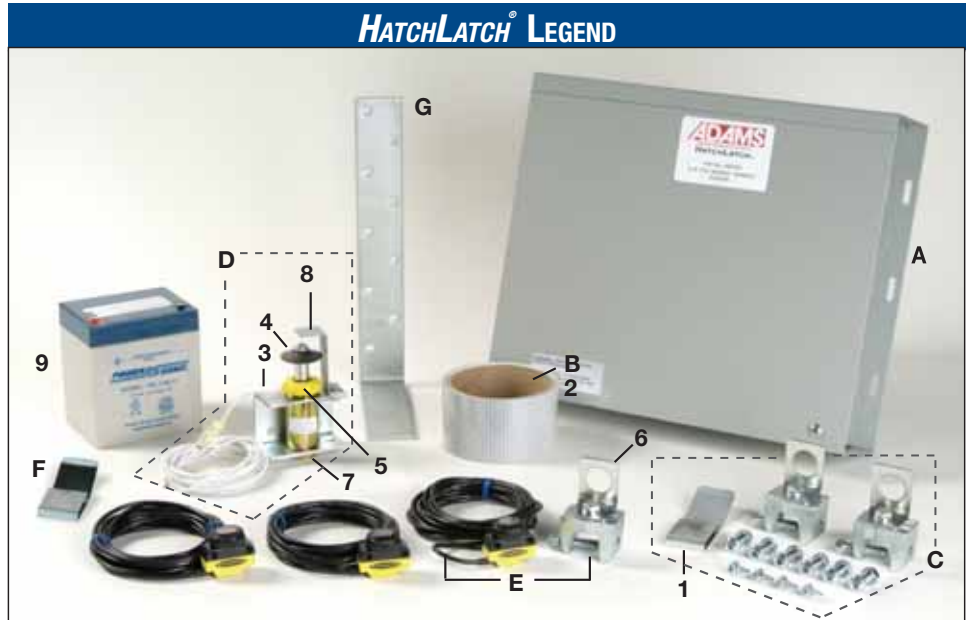
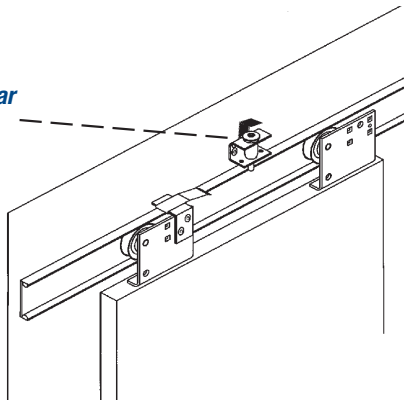
#### Plunger

The plunger rises out of the way, clearing the door roller or blocking bracket as the door opens.

#### No Exit! Zone

Between landing zones, the photoeye senses no tape reflection...and the plunger holds its door-blocking position.

*Photoeyes mounted on the car signal a solenoid to “pick” a metal plunger and allow free door movement only when the car is safely inside a landing zone*



HATCHLATCH® ENHANCED — COMPLETE		
Call out	Adams part no.	Description
A	A835A3	EDR ASS'Y w/Box (includes Battery)
B	A835R2	Reflective Tape, 2" x 10 ft (for up to 5 floors)
C	A835HKA3	Hard Ware Kit
D	A835SYSBK	Solenoid w/9ft cable and Z bracket
E	A835PH	Photoeye w/bracket and 9ft cable
F	A835RA	Reflective Angle
G	A835BB	Bracket, 7 GA x 5" x 10"

REPLACEMENT PARTS AND ACCESSORIES		
<i>Individually numbered items below are part of lettered sub-assemblies above.</i>		
Call out	Adams part no.	Description
1	A835MC	HatchLatch “Money Clip”
2	A835R2P	Reflective Tape, 2" x 150 ft (for up to 75 floors)
3	A835S1	Solenoid w/ 9 ft cable
4	A835PL	Plunger for Solenoid
5	A835 DC	Dust cap for Solenoid plunger – yellow
6	A835PH – BTK	Bracket (for Photoeye)
7	A835SBA3	Solenoid Mounting bracket
8	A835ZC	Solenoid Plunger “Z” bracket
9	335802-01	Battery
	A835XF	Hatch Latch Transformer (inside box, not shown)
10	A835PC3	PC Board (inside box, not shown)
	A835CT	Keyfob Transmitter for Remote Unlocking (not shown)
	A835CR	Receiver Module for Remote Unlocking (not shown)

HatchLatch—Reg. TM Adams Elevator Equipment Company; protected by U.S. Patent No. 5,655,627