

## Patented Universal Door Gib Allows 18 Mounting Positions

### CASH IN ON THESE IMPORTANT FEATURES:

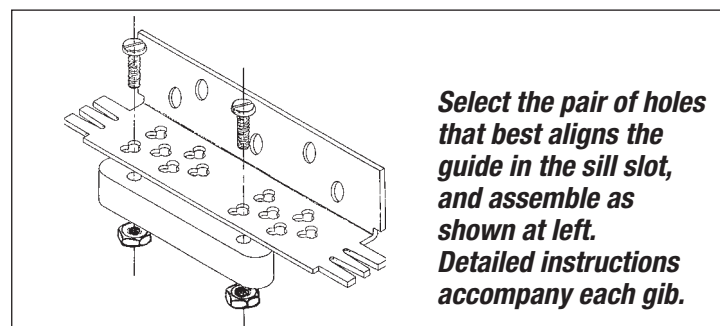
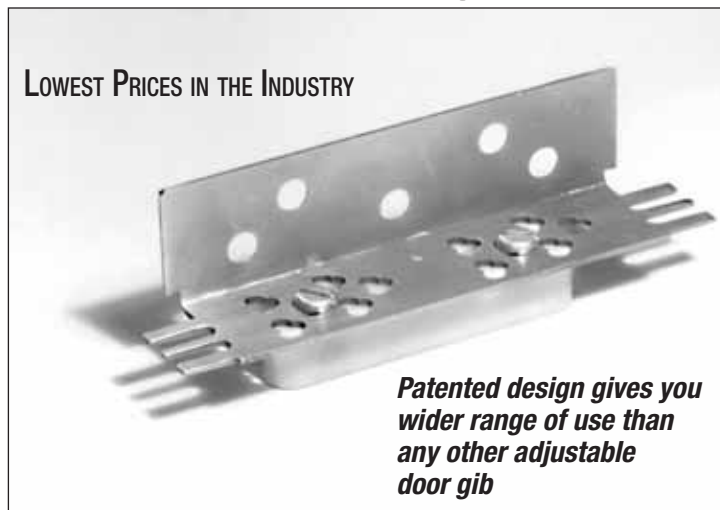
- Adjusts in increments of 0.040" for tight tolerance over the life of the gib
- Buy in bulk paks for maximum savings
- Available in 4 popular guide widths: 17/32" [blue], 1/2" [white], 15/32" green], and 7/16" [red]
- Includes two internal #10 Grade 5 SEMS screws, twice as strong as OEM-supplied Grade 2 screws
- Low prices and sensational quantity discounts!
- Design so revolutionary we had it patented!
- Color-coded guides for easy identification

With 12 unique clover-leaf holes, our Universal Gib gives you 18 adjustable positions.

### IMPACT TESTED

The impact testing done on this Universal Gib consisted of 60 hits to a test door with an 80 lb. punching bag. The results: the rollers and door frame were destroyed...

**...BUT THE A908 DOOR GIB WAS NOT DAMAGED!**



UNIVERSAL GIB, COMPLETE			
Adams part no.		Sill slot width	Color
Each	100 Bulk Pack		
A908B	A908B100	17/32"	Blue
A908W	A908W100	1/2"	White
A908G	A908G100	15/32"	Green
A908R	A908R100	7/16"	Red

NYLON GUIDE FOR A908 GIBS	
Adams part no.	Sill slot width
A908BG	17/32"
A908WG	1/2"
A908GG	15/32"
A908RG	7/16"

REPLACEMENT PARTS FOR A908 GIBS	
Adams part no.	Description
A908C	Gib chassis only
A908S1	#F screw, #10-32 x 1/2", 100/pkg.
A908S2	SEMS screw, #10-32 x 5/8", 100/pkg.
A908N	Hex nut, #10-32, 100/pkg.

### STANDARD DUTY DOOR GIBS

A909A. Nylon door gib with #1/4-20 tapped mounting hole; 3"L x 1/2"W x 9/16"H.

A909B. Nylon door gib with #1/4-20 threaded steel insert; 3"L x 1/2"W x 9/16"H.



FIRE SAFETY DOOR STOPS	
Adams part no.	Description
NY-949-K2	FIRE STOP DOOR GIB 3/4" OFFSET
NY-949-K3	FIRE STOP DOOR GIB 7/8" OFFSET
NY-949-K4	FIRE STOP DOOR GIB 1" OFFSET
NY-949-K5	FIRE STOP DOOR GIB 1" OFFSET