

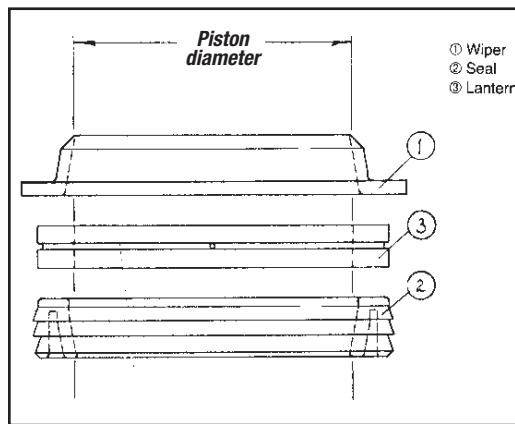
DOVER HYDRAULIC PACKING KITS

Each hydraulic packing kit for Dover consists of:

- One (1) seal
- One (1) wiper
- One (1) lantern ring

DOVER	
Adams part no.	Piston diameter
GK04375D	4 ³ / ₈ "
GK05437D	5 ⁷ / ₁₆ "
GK06500D	6 ¹ / ₂ "
GK07500D	7 ¹ / ₂ "
GK08500D	8 ¹ / ₂ "
GK09500D	9 ¹ / ₂ "
GK10625D	10 ⁵ / ₈ "
GK12625D*	12 ⁵ / ₈ "
GK03875DS	3 ⁷ / ₈ "

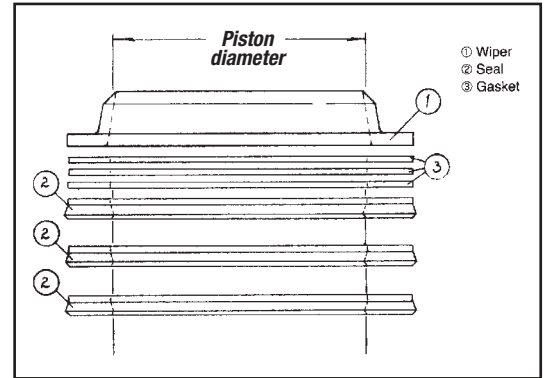
*Available on special order only; please allow three weeks for delivery.



DOVER 3-S STACK PACKING FOR IVO INVERTED HYDRO HYDRAULIC PACKING KIT

Our hydraulic packing kit for Dover 3-S Stack Packing consists of:

- Three (3) seals, split
- One (1) wiper
- Three (3) lantern rings (gaskets)



DOVER 3-S STACK PACKING

Adams part no.	Piston diameter
GK03875DSP	3 ⁷ / ₈ "

DOVER 3S*, 4S, 5S, & 6S HYDRAULIC PACKING KITS

Each hydraulic packing kit for Dover 3S, 4S, 5S, & 6S consists of:

- One (1) seal (Rotoseal)TM
- One (1) wiper

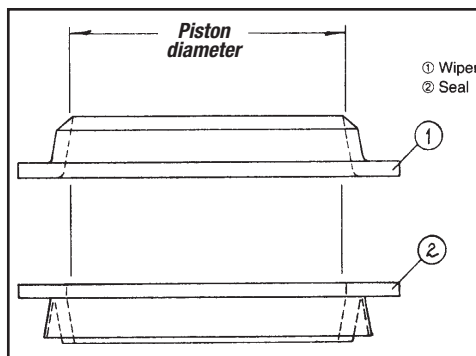
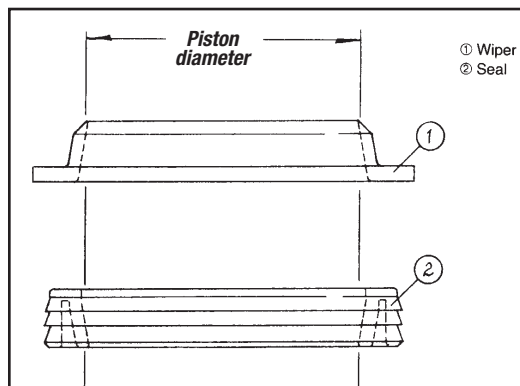


DOVER 3-S SOLID SEAL HYDRAULIC PACKING KIT

Our hydraulic packing kit for Dover 3-S Solid Seal consists of:

- One (1) seal
- One (1) wiper

DOVER 3-S SOLID SEAL	
Adams part no.	Piston diameter
GK03875DS	3 ⁷ / ₈ "



DOVER 3S, 4S, 5S, & 6S

Adams part no.	Piston diameter
GK04375DR	4 ³ / ₈ "
GK05437DR	5 ⁷ / ₁₆ "
GK06500DR	6 ¹ / ₂ "

Rotoseal — Reg TM Dover Elevator Company

HYDRAULIC PACKING

The seals and wipers listed below are top-grade Adams "pressure-balanced" packing.

Our packing works well in all elevators...but you'll notice the greatest improvement in elevators with rough start-up.

This packing can reduce break-away friction up to 35%. It also minimizes running friction and seal-related noises in all elevators, increasing the life of the seal.

Adams part no.	Type	Piston diameter	Replaces Dover part nos.
DP3000	Seal	3 ¹ / ₂ "	9787239, 28723
DP3100	Wiper	3 ¹ / ₂ "	9730349, 77034
DP4000	Seal	4 ³ / ₈ "	9787240, JB-221-1
DP4100	Wiper	4 ³ / ₈ "	9705272, JB-219-3
DP5000	Seal	5 ⁷ / ₁₆ "	9787252, JC-221-1
DP5100	Wiper	5 ⁷ / ₁₆ "	9705442, JC-219-3
DP6000	Seal	6 ¹ / ₂ "	9787264, JD221-1
DP6100	Wiper	6 ¹ / ₂ "	9705612, JD219-3