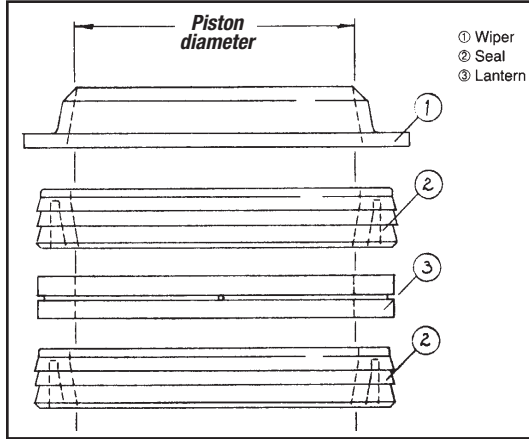


ECCO (LJ/FJ) HYDRAULIC PACKING KITS

Each hydraulic packing kit for ECCO consists of:

- Two (2) seals
- One (1) wiper
- One (1) lantern ring

ECCO	
Adams part no.	Piston diameter
GK03437EE	3 ⁷ / ₁₆ "
GK03875EE	3 ⁷ / ₈ "
GK04000EE	4"
GK04375EE	4 ³ / ₈ "
GK05000EE	5"
GK05437EE	5 ⁷ / ₁₆ "
GK06000EE	6"
GK06500EE	6 ¹ / ₂ "
GK07500EE	7 ¹ / ₂ "
GK08500EE	8 ¹ / ₂ "
GK10625EE	10 ⁵ / ₈ "
GK12625EE	12 ⁵ / ₈ "

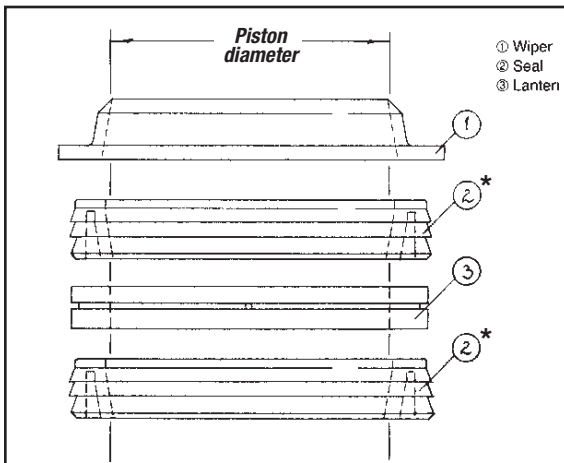


ESCO P-3/P-5/P-7 HYDRAULIC PACKING KITS

Each hydraulic packing kit for ESCO P-3/P-5/P-7 consists of:

- Two (2) seals
- One (1) wiper
- One (1) lantern ring

ESCO P-3/P-5/P-7	
Adams part no.	Piston diameter
GK04000EP	4"
GK04500EP	4 ¹ / ₂ "
GK05000EP	5"
GK05500EP	5 ¹ / ₂ "
GK06000EP	6"
GK07000EP	7"
GK08000EP	8"
GK09000EP	9"
GK10625EP	10 ⁵ / ₈ "
GK12625EP	12 ⁵ / ₈ "
GK13875EP	13 ⁷ / ₈ "



*For model P-4, invert seals.

ESCO P-6 VICTAULIC HYDRAULIC PACKING KITS

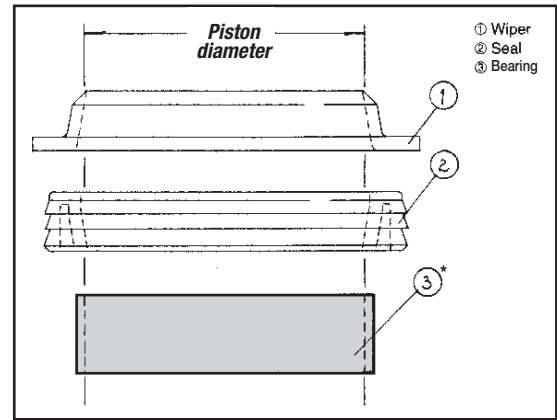
Each hydraulic packing kit for ESCO P-6

Victaulic consists of:

- One (1) seal
- One (1) wiper

ESCO P-6 VICTAULIC		
Adams part no.	Piston diameter	Bearing no.*
GK04000EPV	4"	GB04000B5
GK04500EPV	4 ¹ / ₂ "	GB04500B5
GK05000EPV	5"	GB05000B5
GK05500EPV	5 ¹ / ₂ "	GB05500B5
GK06000EPV	6"	GB06000B5
GK06500EPV	6 ¹ / ₂ "	GB06500B5
GK07000EPV	7"	GB07000B5

*Bearing rings are not included with these kits; they must be ordered separately. See Bearing rings, in "Other Manufacturers" section of this catalog.



GENERAL (FLORIDA) HYDRAULIC PACKING KITS

Each hydraulic packing kit for

General (Florida) consists of:

- One (1) seal
- One (1) wiper
- One (1) bearing

GENERAL (FLORIDA)	
Adams part no.	Piston diameter
GK03437G	3 ⁷ / ₁₆ "
GK03937G	3 ¹⁵ / ₁₆ "
GK04437G	4 ⁷ / ₁₆ "
GK04500G	4 ¹ / ₂ "
GK05437G	5 ⁷ / ₁₆ "
GK05500G	5 ¹ / ₂ "
GK06437G	6 ⁷ / ₁₆ "
GK06500G	6 ¹ / ₂ "
GK07500G	7 ¹ / ₂ "
GK08500G	8 ¹ / ₂ "
GK09500G	9 ¹ / ₂ "

NOTE: Bearing rings are included with these kits.

