

OTIS/HIGH PRESSURE HYDRAULIC PACKING KIT

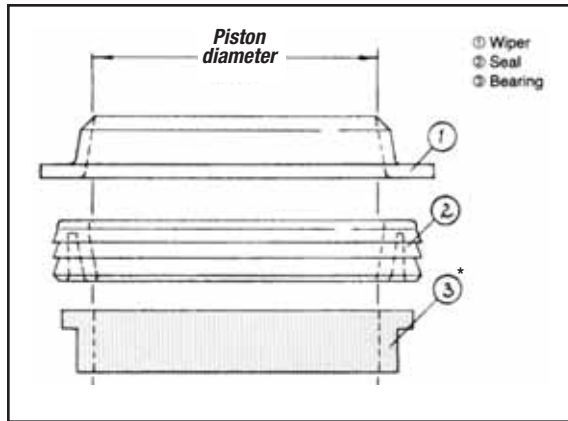
Our hydraulic packing kit for Otis/High Pressure

consists of:

- One (1) seal
- One (1) wiper

OTIS/HIGH PRESSURE		
Adams part no.	Piston diameter	Bearing no.*
GK02750HP	2 3/4"	GB02750B4

*Bearing rings are not included with these kits; they must be ordered separately. See Bearing rings, in "OTIS" section of this catalog.

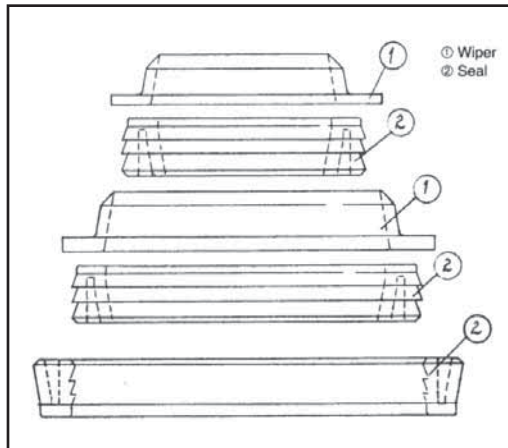


OTIS/TELESCOPIC HYDRAULIC PACKING KITS

Each hydraulic packing kit for Otis/Telescopic consists of:

- Three (3) seals, graduated sizes
- Two (2) wipers, graduated sizes

OTIS/TELESCOPIC	
Adams part no.	Otis series no.
GK1500OT	1500
GK2000OT	2000
GK2500OT	2500
GK4000OT	4000



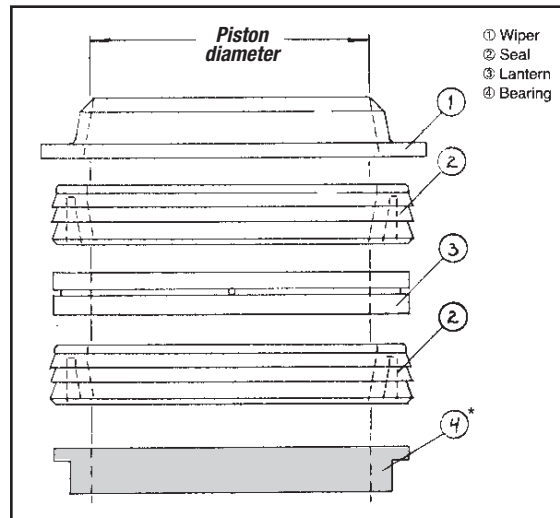
OTIS/WELDED HEAD HYDRAULIC PACKING KITS

Each hydraulic packing kit for Otis/Welded Head consists of:

- Two (2) seals
- One (1) wiper
- One (1) lantern ring

OTIS/WELDED HEAD			
Adams part no.	Piston diameter		Bearing no.*
	Actual	Otis desig.	
GK04375OW	4 3/8"	4 1/2"	GB04375B4
GK04875OW	4 7/8"	5"	GB04875B4
GK05437OW	5 7/16"	5 1/2"	GB05437B4
GK06500OW	6 1/2"	6 1/2"	GB06500B4

*Bearing rings are not included with these kits; they must be ordered separately. See Bearing rings, in "OTIS" section of this catalog.



SOUTHEASTERN (SH-4/5, SF-5, SE-6) HYDRAULIC PACKING KITS

Each hydraulic packing kit for Southeastern consists of:

- One (1) seal
- One (1) wiper

SOUTHEASTERN			
Adams part no.	Replaces Southeastern	Piston diameter	Bearing no.*
GK04375OW	4 3/8"	4 1/2"	GB04375B4
GK04875OW	4 7/8"	5"	GB04875B4
GK05437OW	5 7/16"	5 1/2"	GB05437B4
GK06500OW	6 1/2"	6 1/2"	GB06500B4

*Bearing rings are not included with these kits; they must be ordered separately on page 398.

