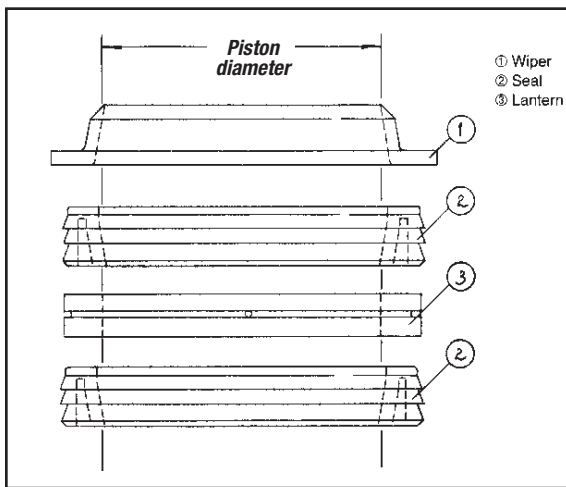


SOUTHEASTERN (SE-7/8/9/12, SH-10) HYDRAULIC PACKING KITS

Each hydraulic packing kit for Southeastern consists of:

- Two (2) seals
- One (1) wiper
- One (1) lantern ring

SOUTHEASTERN		
Adams part no.	Replaces Southeastern	Piston diameter
GK07500S	SE-7	7½"
GK08500S	SE-8	8½"
GK09500S	SE-9	9½"
GK10625S	SH-10	10 ⁵ / ₈ "
GK12625S	SE-12	12 ⁵ / ₈ "

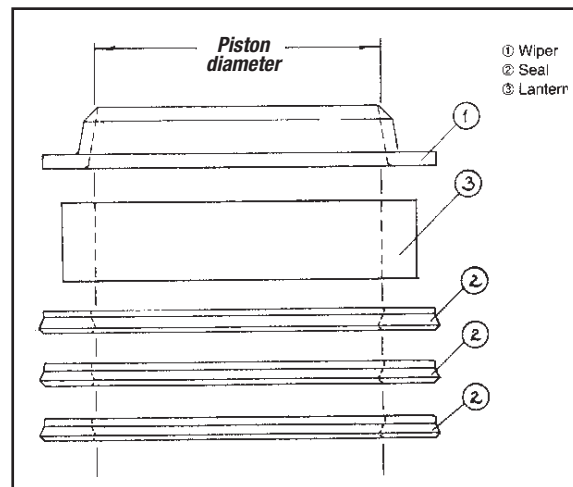


U.S. ELEVATOR/SPLIT SEAL STACK PACKING HYDRAULIC PACKING KITS

Each hydraulic packing kit for U.S. Elevator consists of:

- Three (3) seals, split
- One (1) wiper
- One (1) lantern ring, split

U.S./SPLIT SEAL	
Adams part no.	Piston diameter
GK04000USP	4"
GK04500USP	4½"
GK05000USP	5"
GK05500USP	5½"
GK06000USP	6"
GK06500USP	6½"
GK07000USP	7"
GK07500USP	7½"
GK08000USP	8"
GK09000USP	9"
GK10625USP	10 ⁵ / ₈ "
GK12625USP	12 ⁵ / ₈ "

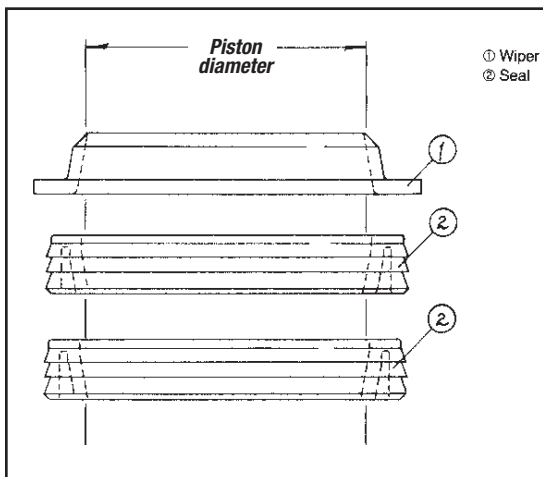


U.S. ELEVATOR/MT HEAD HYDRAULIC PACKING KITS

Each hydraulic packing kit for U.S. Elevator consists of:

- Two (2) seals
- One (1) wiper

U.S./MT HEAD		
Adams part no.	U.S. Elevator part no.	Piston diameter
GK04000UMT	MT 4	4"
GK04500UMT	MT 4½	4½"
GK05000UMT	MT 5	5"
GK05500UMT	MT 5½	5½"
GK06000UMT	MT 6	6"
GK06500UMT	MT 6½	6½"
GK07000UMT	MT 7	7"
GK08000UMT	MT 8	8"



WESTINGHOUSE HYDRAULIC PACKING KITS

Each hydraulic packing kit for Westinghouse consists of:

- Two (2) seals

WESTINGHOUSE	
Adams part no.	Piston diameter
GK03500W	3½"
GK03750W	3¾"
GK04000W	4"
GK04500W	4½"
GK05500W	5½"
GK06000W	6"
GK06500W	6½"
GK07000W	7"
GK08000W	8"

