



Solutions for Elevators

SilentMove™

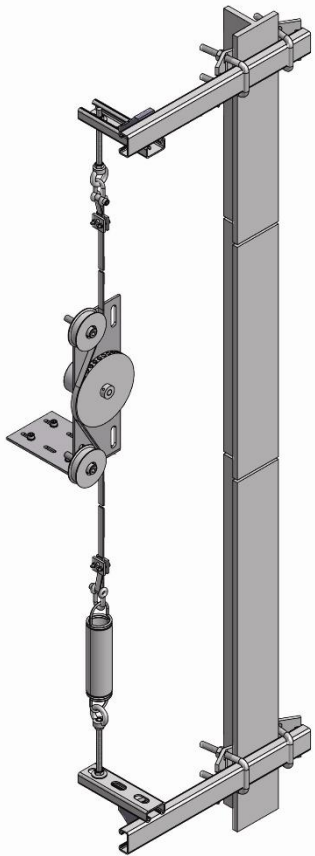
Digital Elevator Landing System

Wachendorff Automation GmbH & Co KG

- Wachendorff Group has been manufacturing and developing Automation Systems and Encoders for more than 40 years.
- Their facility, based in Germany, employs over 160 people and is DIN/ISO 9001 & DIN/ISO 14001 certified.
- In addition to the European lift industry, Wachendorff is well known for the development of
 - Operator panels for mobile applications,
 - Process automation systems,
 - Optical, magnetic, incremental and absolute encoders



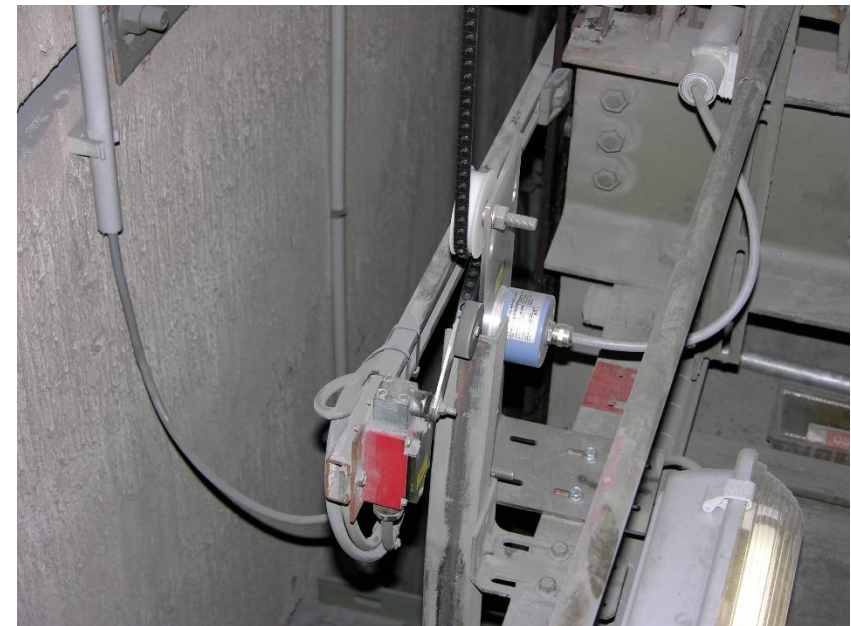
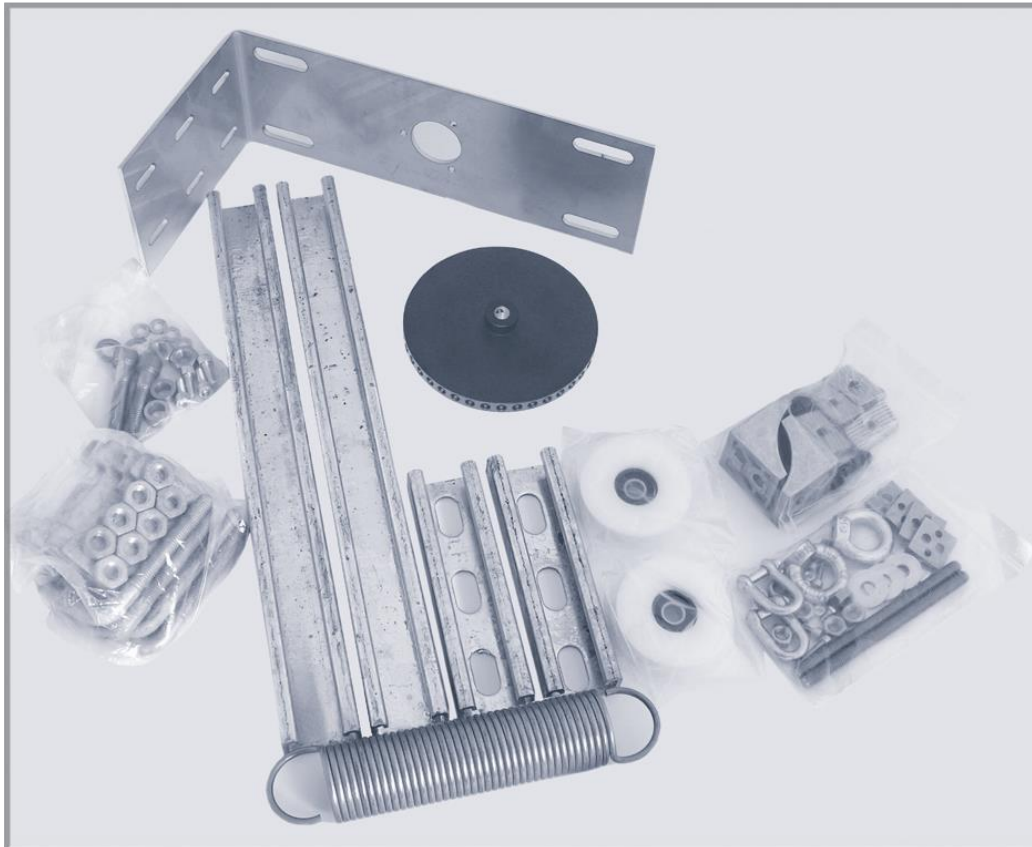
SilentMove™ Digital Elevator Landing System



- The most silent belt system, typically 68dB
- Accuracy of 0.1 mm
- Operates up to 800 fpm
- Up to 400 ft
- Non-slip due to steel reinforced, Teflon coated nub belt
- Incremental- or Magnetic-Absolute encoder (CANopen, SSI, or RS485 interface)
- Complete set of mechanical parts, ready for easy, virtually maintenance free installation
- UL listed

Mounting Kits

Guided System



SilentMove™ Compact for Residential Elevator



- Especially designed for medium sized building or residential applications
- Open design for easiest mounting of the noise-optimized toothed belt
- Guided belt measuring system
- Compact design with flexible and precise mounting brackets
- Absolute position of elevator car
- Optimized silencing with vibration dampers
- Can be combined with many WDGA 58B and WDGI 58B



Wachendorff Automation USA Inc.
55 West Monroe Street, Suite 2900
Chicago, IL 60603, USA

Mr. Christoph Denk

Email: de@wachendorff.de

www.wachendorff-automation.com



More Parts Delivered Faster

Adams Elevator Equipment Company
100 South Wacker Dr., Ste. 1250
Chicago, IL 60606-4004, USA

Fon: 1-800-929-9247

Fax: 1-312-348-6163

Email: adams.sales.@adamselevator.com

www.adamselevator.com